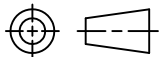




DRAWN E.SIMPSON	APPROVAL B. TOEPFER	DATE 05-26-05	SCALE 1:1
--------------------	------------------------	------------------	--------------

CUSTOMER  
TYCO\_ELECTRONICS\_STANDARD

TOLERANCE	0.X	=	+/-
UNLESS	0.XX	=	+/-
SPECIFIED	0.XXX	=	+/-
OTHERWISE	ANGLES	=	+/-

  
 DO NOT SCALE THIS DRAWING

CHANGES			
REV.	DATE	CO	APP.
	08-22-05	RELEASE	EDS B.T.
	28APR2010	ECR-10-008018	BT

ELECTRICAL CHARACTERISTICS: (ALL DATA APPLIES @ 23°C UNLESS OTHERWISE SPECIFIED)

COIL DATA:

NOMINAL VOLTAGE: 12 VDC  
 OPERATE VOLTAGE: 7.8 VDC MAXIMUM  
 RELEASE VOLTAGE: 1.2 VDC MINIMUM  
 COIL RESISTANCE: 79.5 OHMS +/- 10%  
 OPERATE TIME: 10 mSEC. MAXIMUM EXCLUDING BOUNCE  
 RELEASE TIME: 13 mSEC. MAXIMUM EXCLUDING BOUNCE  
 TEMPERATURE RANGE: OPERATING -40°C TO +85°C

CONTACT DATA: (CONTACT DATA IS FORMATTED N.O./N.C.)

CONTACT ARRANGEMENT: 1 FORM C (SPDT)  
 CONTACT MATERIAL: AgSnO (SILVER TIN-OXIDE)  
 CONTACT MILLIVOLT DROP: 200mv @ 35A ON N.O. CONTACTS (AFTER SWITCHING)  
 250mv @ 20A ON N.C. CONTACTS (AFTER SWITCHING)  
 MAXIMUM MAKE CURRENT: 90A/30A (LAMP) @ 16 VDC  
 MAXIMUM BREAK CURRENT: 40A/30A @ 16 VDC RESISTIVE  
 MAXIMUM CONTINUOUS CURRENT: 40A/30A @ 23°C , 35A/20A @ 85°C  
 INITIAL BREAKDOWN CURRENT 500V RMS CONTACTS TO COIL

EXPECTED LIFE: 100,000 OPERATIONS, 40 A, 14 VDC RESISTIVE ON NORMALLY OPEN CONTACT

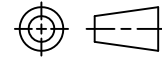
MECHANICAL CHARACTERISTICS:

EXPECTED LIFE: 10 MILLION OPERATIONS, NO CONTACT LOAD  
 TERMINALS BRASS, UNPLATED  
 ENCLOSURE: EPOXY SEALED

DRAWN E. SIMPSON	APPROVAL B. TOEPFER	DATE 05-26-05	SCALE 1:1
---------------------	------------------------	------------------	--------------

CUSTOMER  
TYCO\_ELECTRONICS\_STANDARD

TOLERANCE 0.X = +/-  
 UNLESS 0.XX = +/-  
 SPECIFIED 0.XXX = +/-  
 OTHERWISE ANGLES = +/-



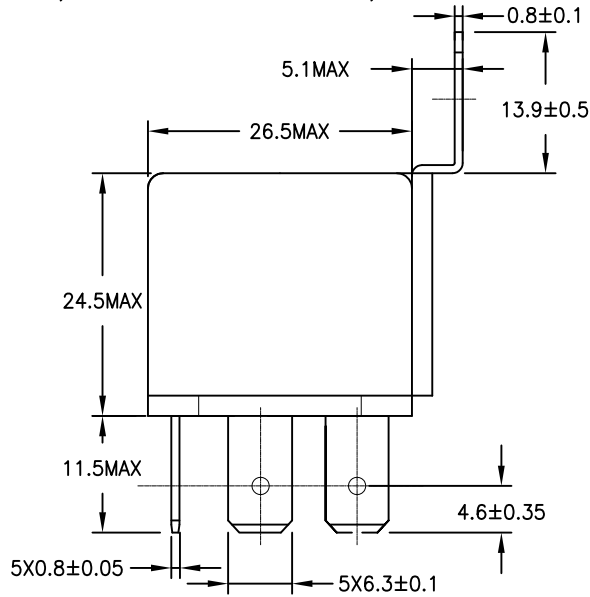
DO NOT SCALE THIS DRAWING

REV B

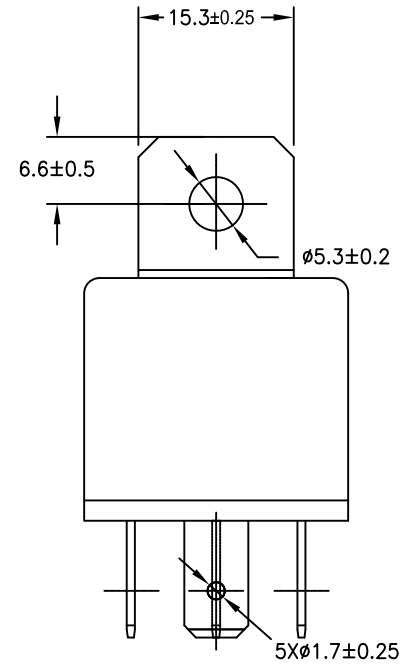
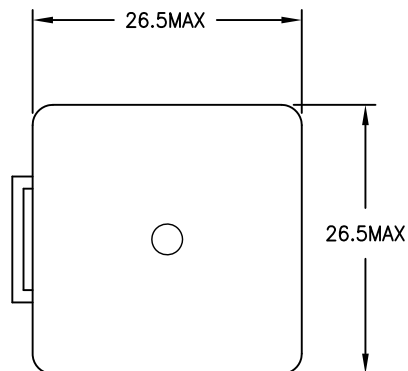
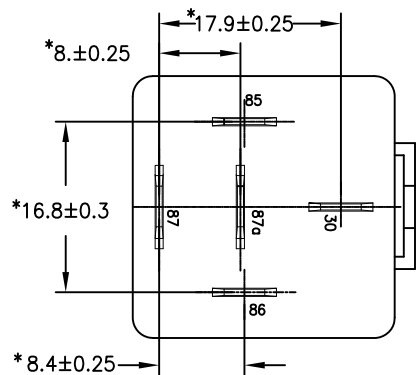
MILLIMETERS

MARKING TO INCLUDE:

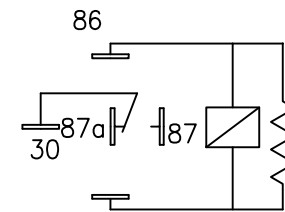
TYCO ELECTRONICS NAME, TYCO ELECTRONICS PART NUMBER, SCHEMATIC,  
 COIL VOLTAGE, COUNTRY OF ORIGIN, AND DATE CODE



K  
K ASPECT



\* TERMINAL LOCATIONS  
APPLY AT THE BASE  
OF THE TERMINALS



85  
SCHEMATIC DRAWING  
(BOTTOM VIEW)