

5A, 18V, 500kHz, ACOT™ Step-Down Converter

General Description

The RT6255A/B is a high-performance, synchronous step-down DC-DC converter that can deliver up to 5A output current from a 4.5V to 18V input supply. The device integrates low $R_{DS(ON)}$ power MOSFETs, accurate 0.6V reference and an integrated diode of bootstrap circuit to offer a very compact solution.

The RT6255A/B adopts Advanced Constant On-Time (ACOT™) control architecture that provides ultrafast transient response and further reduces the external-component count. In steady states, the ACOT™ operates in nearly constant switching frequency over line, load and output voltage ranges and makes the EMI filter design easier.

The device offers Independent enable control input pin and power good indicator (TSOT23-8 only) for easily sequence control. To control the inrush current during the startup, the device provides a fixed 1.5ms soft-start up. Fully protection features are also integrated in the device including the cycle-by-cycle current limit control, UVP, input UVLO and OTP.

The RT6255A/B is available in the TSOT-23-6 (FC) and TSOT-23-8 (FC) package.

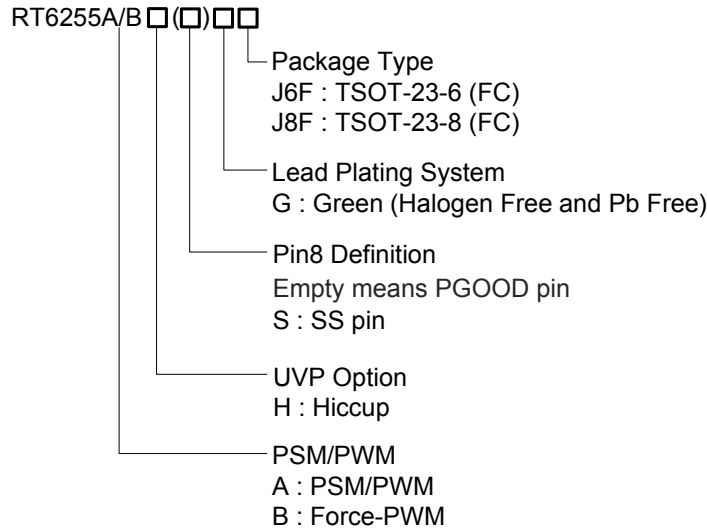
Applications

- Set Top Box
- Portable TV
- Access Point Router
- DSL Modem
- LCD TV

Features

- **Input Supply Voltage Range : 4.5V to 18V**
- **Output Current : 5A**
- **Advanced Constant On-Time (ACOT™) Control for Ultrafast Transient Response**
- **Steady Switching Frequency : 500kHz**
 - **Forced PWM Mode (RT6255B)**
 - **Pulse-Skipping Mode (PSM) at Light Load (RT6255A)**
- **Optimized for Low-ESR Ceramic Output Capacitors**
- **Programmable Output Voltage : 0.6V to 5V**
- **Internal 45mΩ Switch and 23mΩ Synchronous Rectifier**
- **Cycle-by-Cycle Current Limit Protection**
- **Internal Soft-Start (Typ 1.5ms) or Externally Adjustable, Pre-biased Compatible Soft-Start (Only for Option with SS Pin)**
- **Power Good Indicator (90%) (Only for Option with PGOOD Pin)**
- **Output Under-Voltage Protection (UVP)**
- **Over-Temperature Protection (OTP)**
- **Input Under-Voltage Lockout (UVLO)**
- **Available in TSOT-23-6 (FC) and TSOT-23-8 (FC) Packages**

Ordering Information

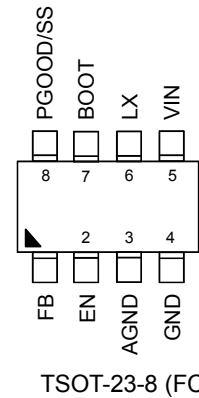
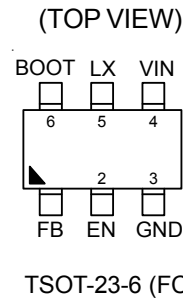


Note :

Richtek products are :

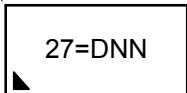
- ▶ RoHS compliant and compatible with the current requirements of IPC/JEDEC J-STD-020.
- ▶ Suitable for use in SnPb or Pb-free soldering processes.

Pin Configuration



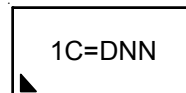
Marking Information

RT6255AHGJ6F



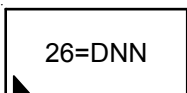
27= : Product Code
DNN : Date Code

RT6255AHGJ8F



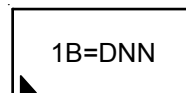
1C= : Product Code
DNN : Date Code

RT6255BHGJ6F



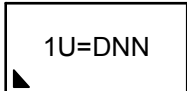
26= : Product Code
DNN : Date Code

RT6255BHGJ8F



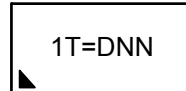
1B= : Product Code
DNN : Date Code

RT6255AHSGJ8F



1U= : Product Code
DNN : Date Code

RT6255BHSGJ8F



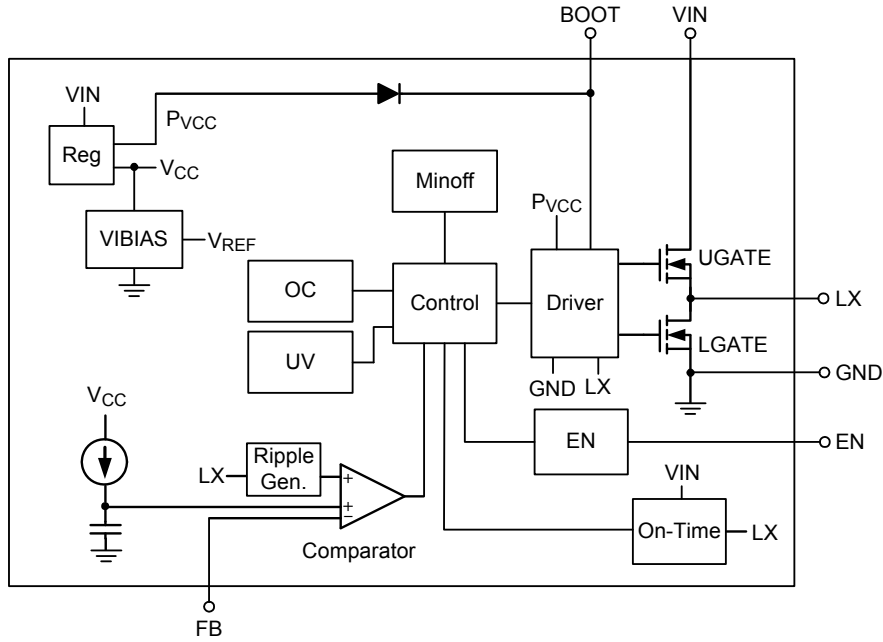
1T= : Product Code
DNN : Date Code

Functional Pin Description

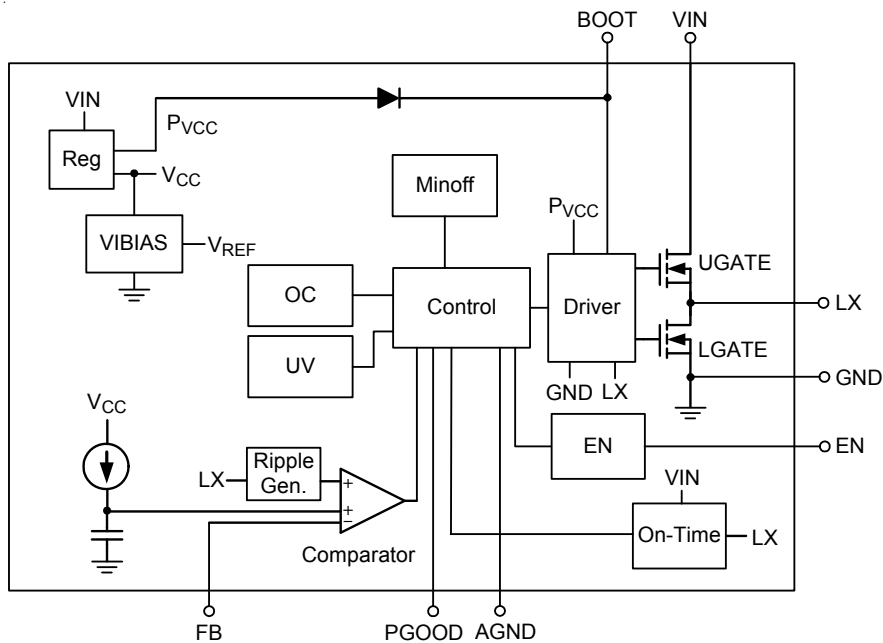
Pin No.		Pin Name	Pin Function
TSOT-23-6 (FC)	TSOT-23-8 (FC)		
1	1	FB	Feedback voltage input. This pin is used to set the desired output voltage via an external resistive divider.
--	3	AGND	Analog ground. This is the signal ground reference for the IC.
2	2	EN	Enable control input. Connecting this pin to logic high can enable the device and connecting this pin to GND can disable the device.
3	4	GND	System ground. This is the power return for the IC.
4	5	VIN	Power input. Supplies the power switches of the device.
5	6	LX	Switch node. LX is the switching node that supplies power to the output and connect the output LC filter from LX to the output load.
6	7	BOOT	Bootstrap supply for high-side gate driver. Connect a 0.1 μ F ceramic capacitor from LX to BOOT to power the high-side switch.
--	8	PGOOD	Power good indicator. Open-drain output when the output voltage is within 90% to 120% of regulation point.
--	8	SS	Soft-Start control input. Connect a capacitor from SS to GND to set the soft-start time. The capacitance C_{SS} is suggested to be in the range from 2.8nF to 220nF.

Functional Block Diagram

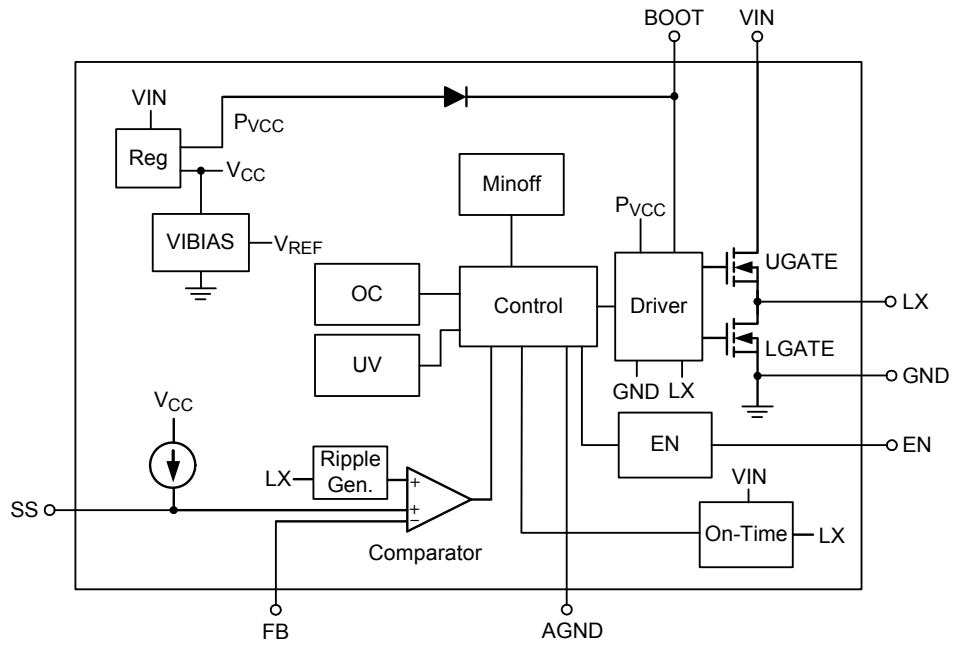
(RT6255AHGJ6F/RT6255BHGJ6F)



(RT6255AHGJ8F/RT6255BHGJ8F)



(RT6255AHSGJ8F/RT6255BHSGJ8F)



Operation

The RT6255A/B is a high-efficiency, monolithic synchronous step-down DC-DC converter that can deliver up to 5A output current from a 4.5V to 18V input supply. Using the ACOT control mode can reduce the output capacitance and perform fast transient response. It can minimize the component size without additional external compensation network.

Current Limit

The RT6255A/B current limit is a cycle-by-cycle “valley” type, measuring the inductor current through the synchronous rectifier during the off-time while the inductor current ramps down. The current is determined by measuring the voltage between Source and Drain of the synchronous rectifier, adding temperature compensation for greater accuracy. If the current exceeds the current limit, the on-time one-shot is inhibited until it drops below the current limit level. If the output current exceeds the available inductor current (controlled by the current limit mechanism), the output voltage will drop. If it drops below the output under-voltage protection level (see next section) the IC will stop switching to avoid excessive heat.

Output Under-Voltage Protection and Hiccup Mode

The RT6255A/B includes output under-voltage protection (UVP) against over-load or short-circuited condition by constantly monitoring the feedback voltage V_{FB} . If V_{FB} drops below the under-voltage protection trip threshold (typically 60% of the internal feedback reference voltage), the UV comparator will go high to turn off both the internal high-side and low-side MOSFET switches.

If the output under-voltage condition continues for a period of time, the RT6255A/B will enter output under-voltage protection with hiccup mode. It is shown as Figure 1. During hiccup mode, the IC will shut down for t_{HICCUP_OFF} (5ms), and then attempt to recover automatically for t_{HICCUP_ON} (2.5ms). Upon completion of the soft-start sequence, if the fault condition is removed, the converter will resume normal operation; otherwise, such cycle for auto-recovery will be repeated until the fault condition is cleared. Hiccup mode allows the circuit to operate safely with low input current and power dissipation, and then resume normal

operation as soon as the over-load or short-circuit condition is removed.

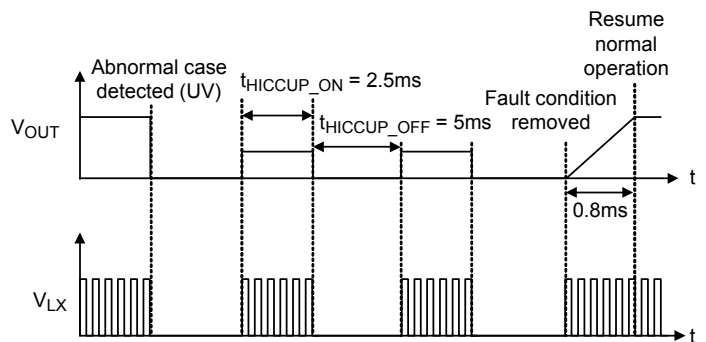


Figure 1. UVP and Hiccup Mode

Shut-Down, Start-Up and Enable (EN)

The enable input (EN) has a logic-low level. When V_{EN} is below this level the IC enters shutdown mode. When V_{EN} exceeds its logic-high level the IC is fully operational.

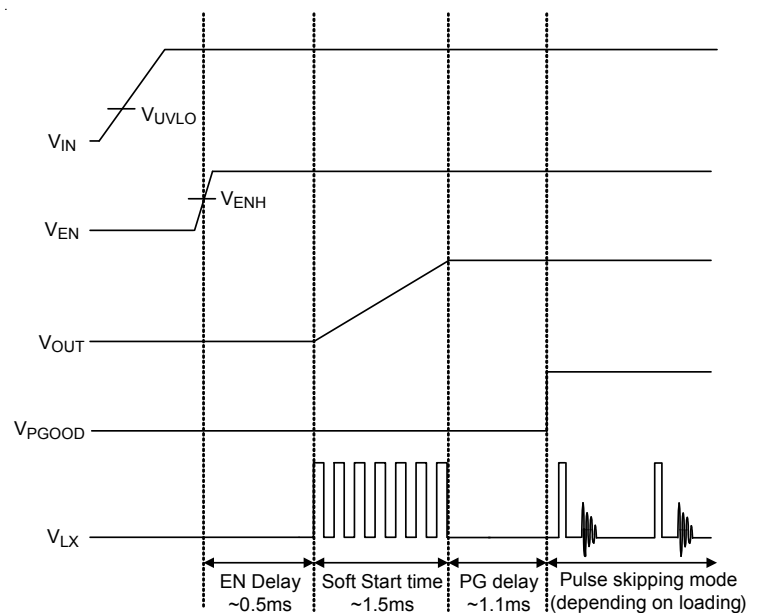


Figure 2. Power Up Sequence

External Bootstrap Capacitor

Connect a 0.1 μ F low ESR ceramic capacitor between BOOT and LX. This bootstrap capacitor provides the gate driver supply voltage for the high side N- MOSFET switch.

Over-Temperature Protection

The RT6255A/B includes an Over-Temperature Protection (OTP) circuitry to prevent overheating due to excessive power dissipation. The OTP will shut down switching operation when the junction temperature exceeds 150°C. Once the junction temperature cools down by approximately 15°C, the IC will resume normal operation. For continuous operation, provide adequate cooling so that the junction temperature does not exceed 150°C.

UVP Protection

The RT6255A/B detects under-voltage conditions by monitoring the feedback voltage on FB pin. When the feedback voltage is lower than 60% of the target voltage, the UVP comparator will go high to turn off both internal high-side and low-side MOSFETs.

Soft-Start (SS)

(For RT6255AHSGJ8F/RT6255BHSGJ8F)

The soft-start function is used to prevent large inrush currents while the converter is being powered up. The RT6255A/B provides a soft-start feature for inrush control. For some options, it provides an SS pin so that the soft-start time can be programmed by selecting the value of the external capacitor C_{SS} connected from the SS pin to GND. During the start-up sequence, the external capacitor is charged by an internal current source I_{SS} (typically, 4 μ A) to generate a soft-start ramp voltage as a reference voltage to the PWM comparator. The device will initiate switching and the output voltage will smoothly ramp up to its targeted regulation voltage only after this ramp voltage is greater than the feedback voltage V_{FB} to ensure the converters have a smooth start-up. For soft-start control, the SS pin should never be left unconnected.

Power Good Indicator

(For RT6255AHGJ8F/RT6255BHGJ8F)

The PGOOD pin is an open-drain output and is connected to an external pull-up resistor. It is controlled by a

comparator, which the feedback signal V_{FB} is fed to. If V_{FB} is above 90% of the internal reference voltage, the PGOOD pin will be in high impedance and V_{PGOOD} will be held high. Otherwise, the PGOOD output will be pulled low.

Absolute Maximum Ratings (Note 1)

• Supply Input Voltage, V_{IN} -----	-0.3V to 20V
• Enable Pin Voltage, EN -----	-0.3V to 20V
• Switch Node Voltage, LX -----	-0.3V to 20V
<20ns -----	-5V to 27V
• BOOT to LX, $V_{BOOT} - V_{LX}$ -----	-0.3V to 6V
• Other Pins -----	-0.3V to 6V
• Power Dissipation, $P_D @ T_A = 25^\circ\text{C}$	
TSOT-23-6 (FC) -----	1.923W
TSOT-23-8 (FC) -----	1.923W
• Package Thermal Resistance (Note 2)	
TSOT-23-6 (FC), θ_{JA} -----	52°C/W
TSOT-23-6 (FC), θ_{JC} -----	5°C/W
TSOT-23-8 (FC), θ_{JA} -----	52°C/W
TSOT-23-8 (FC), θ_{JC} -----	5°C/W
• Junction Temperature -----	150°C
• Lead Temperature (Soldering, 10 sec.) -----	260°C
• Storage Temperature Range -----	-65°C to 150°C
• ESD Susceptibility (Note 3)	
HBM (Human Body Model) -----	2kV

Recommended Operating Conditions (Note 4)

• Supply Input Voltage -----	4.5V to 18V
• Junction Temperature Range -----	-40°C to 125°C
• Ambient Temperature Range -----	-40°C to 85°C

Electrical Characteristics

($V_{IN} = 12\text{V}$, $T_A = 25^\circ\text{C}$, unless otherwise specified)

Parameter	Symbol	Test Conditions	Min	Typ	Max	Unit
Supply Voltage						
VIN Supply Input Operating Voltage	V_{IN}		4.5	--	18	V
VIN Under-Voltage Lockout Threshold-Rising	V_{UVLO}	V_{IN} rising	3.9	4.1	4.3	V
VIN Under-Voltage Lockout Threshold-Hysteresis	ΔV_{UVLO}		--	0.3	--	V
Supply current						
Supply Current (Shutdown)	I_{SHDN}	$V_{EN} = 0$	--	3	--	μA
Supply Current (Quiescent)	I_Q	$I_{OUT} = 0$ $V_{FB} = V_{REF} \times 105\%$ (not switching)	--	115	--	μA
Soft-Start						
Soft-Start Time	tss		--	1.5	--	ms

Parameter	Symbol	Test Conditions	Min	Typ	Max	Unit
Enable Voltage						
EN Input High Voltage	V _{EN_H}		1.5	--	--	V
EN Input Low Voltage	V _{EN_L}		--	--	0.4	V
Feedback Voltage						
Feedback Threshold Voltage	V _{TH_FB}		0.594	0.6	0.606	V
Feedback Current	I _{FB}	V _{FB} = 4V	-50	--	50	nA
Internal MOSFET						
High-Side Switch On-Resistance	R _{DS(ON)_H}	V _{BOOT} - V _{LX} = 4.8V	--	45	--	mΩ
Low-Side Switch On-Resistance	R _{DS(ON)_L}		--	23	--	mΩ
Discharge FET R _{ON}	R _{DISCHG}		--	50	--	Ω
Current Limit						
High-Side Switch Current Limit	I _{LIM_H}		--	10.5	--	A
Low-Side Switch Valley Current Limit	I _{LIM_L}		5.25	7.25	9.25	A
Switching Frequency						
Oscillator Frequency	f _{SW}		400	500	600	kHz
On-Time Timer Control						
Minimum On-Time	t _{ON_MIN}	V _{IN} = V _{IN(MAX)}	--	60	--	ns
Minimum Off-Time	t _{OFF_MIN}		--	200	--	ns
Thermal Shutdown						
Thermal Shutdown Threshold	T _{SD}		--	150	--	°C
Thermal Shutdown Hysteresis	ΔT _{SD}		--	15	--	°C
Output Under Voltage						
UVP Trip Threshold		UVP detect	--	60	--	%
		Hysteresis	--	10	--	%
Power Good for (RT6255AHGJ8F/RT6255BHGJ8F)						
Power Good Threshold	V _{PGOOD}	V _{FB} rising	85	90	95	%
		V _{FB} falling	80	85	90	%
SS for (RT6255AHSGJ8F/RT6255BHSGJ8F)						
Soft-Start Current	I _{SS}		--	4	--	μA

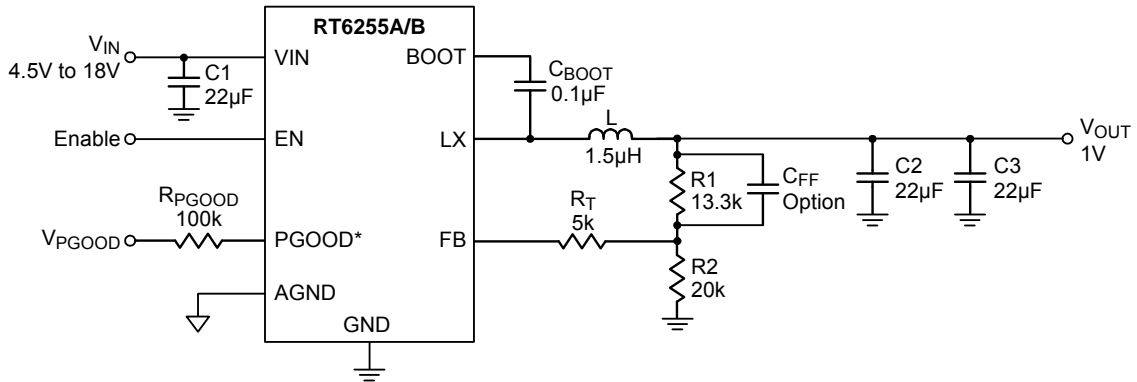
Note 1. Stresses beyond those listed under “Absolute Maximum Ratings” may cause permanent damage to the device. These are stress ratings only, and functional operation of the device at these or any other conditions beyond those indicated in the operational sections of the specifications is not implied. Exposure to absolute maximum rating conditions may affect device reliability.

Note 2. θ_{JA} is measured in the natural convection at T_A = 25°C on a four-layer Richtek Evaluation Board. θ_{JC} is measured at the lead of the package.

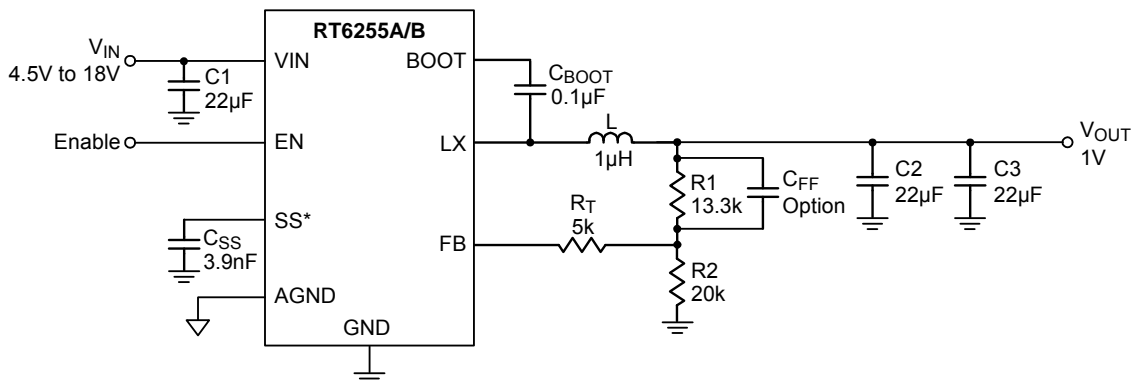
Note 3. Devices are ESD sensitive. Handling precaution is recommended.

Note 4. The device is not guaranteed to function outside its operating conditions.

Typical Application Circuit



* : PGOOD pin is for (RT6255AHGJ8F/RT6255BHGJ8F)



* : SS pin is for (RT6255AHSGJ8F/RT6255BHSGJ8F)

Table 1. Suggested Component Values

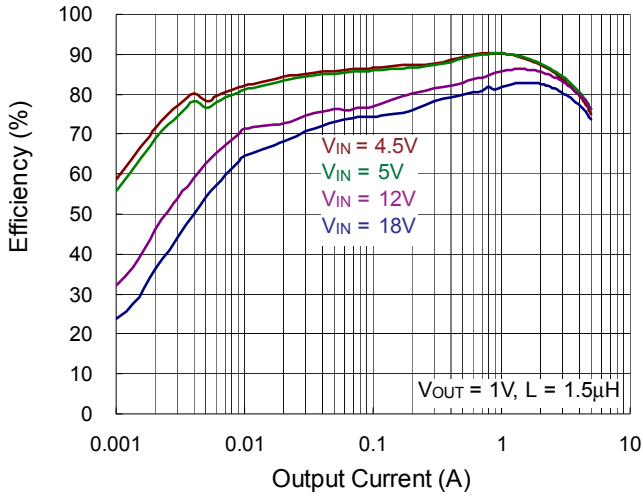
V _{OUT} (V)	R ₁ (kΩ)	R ₂ (kΩ)	L (µH)	C _{OUT} (µF)	C _{FF} (pF)
1	13.3	20	1.5	44	--
1.2	20	20	1.5	44	--
1.8	40.2	20	2	44	--
2.5	63.4	20	2.8	44	47 to 82
3.3	90.9	20	3.3	44	47 to 82
5	147	20	4.7	44	47 to 82

Note 1 : All the input and output capacitors are the suggested values, referring to the effective capacitances, subject to any de-rating effect, like a DC bias.

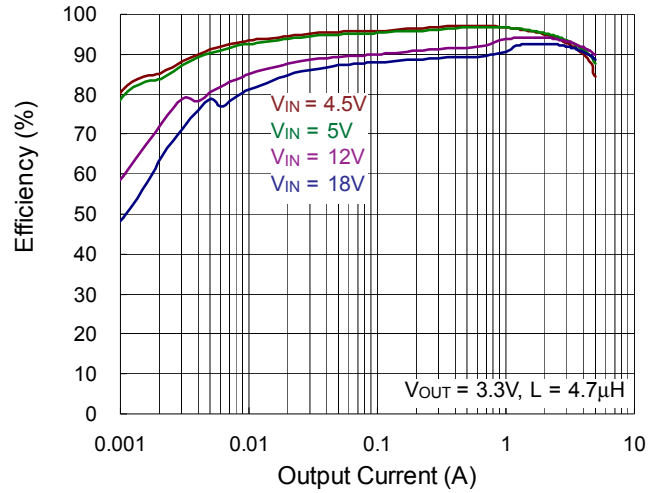
Note 2 : Considering the noise immunity, it is necessary to add R_T = 4.99k between feedback network and chip FB pin.

Typical Operating Characteristics

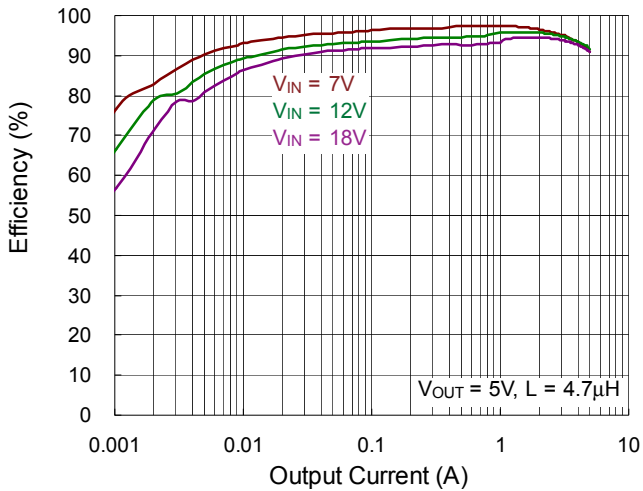
Efficiency vs. Output Current



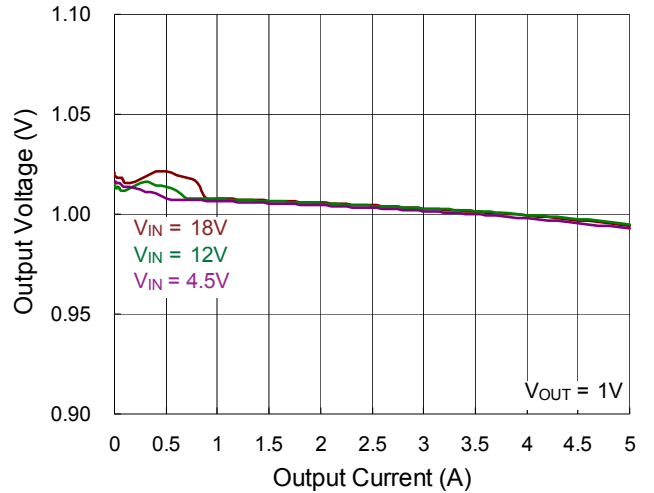
Efficiency vs. Output Current



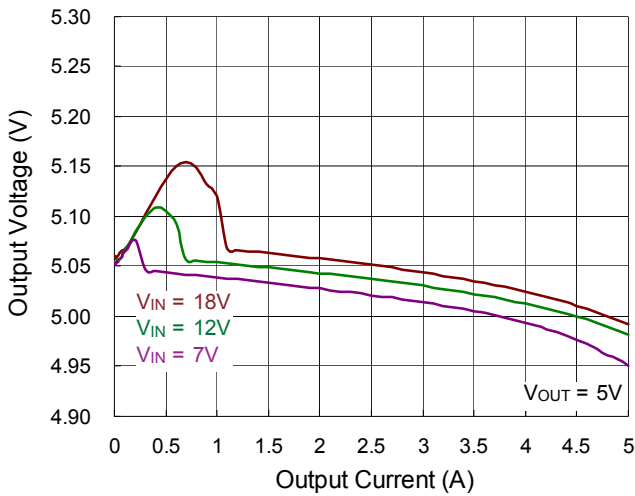
Efficiency vs. Output Current



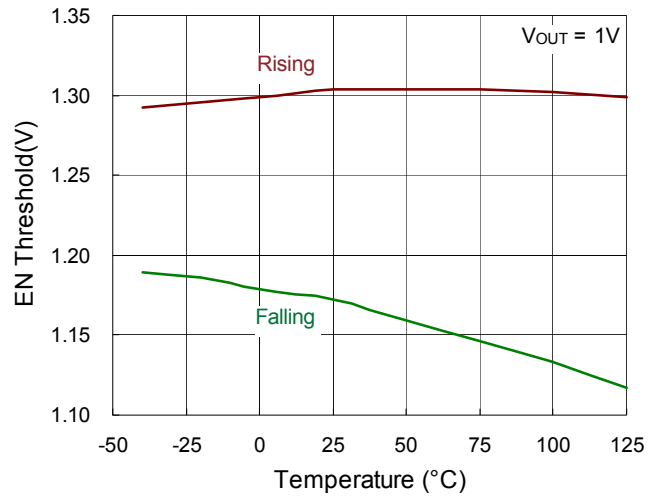
Output Voltage vs. Output Current



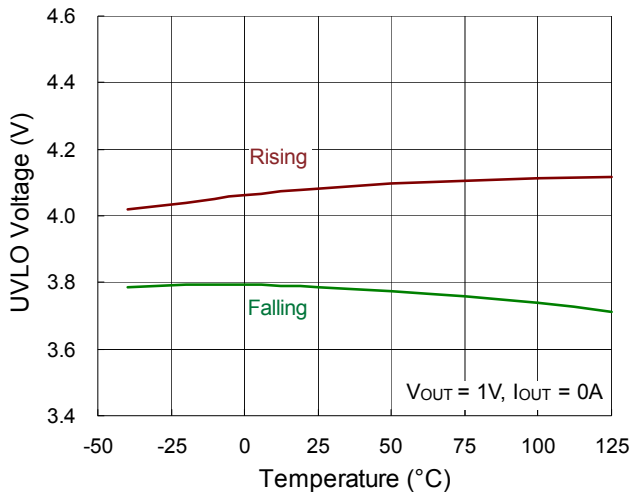
Output Current vs. Output Current



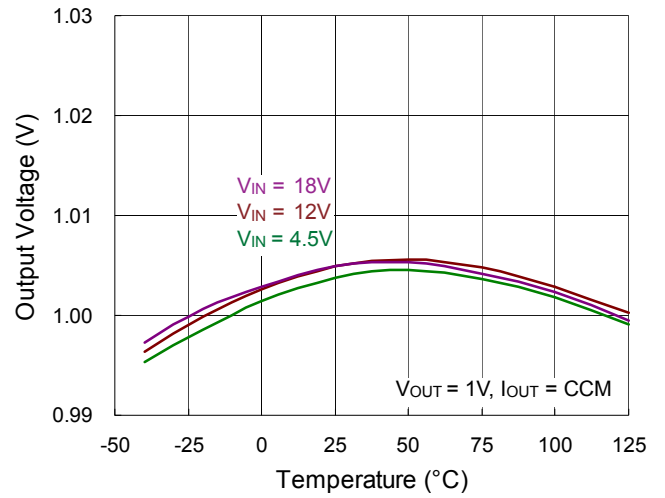
EN Threshold vs. Temperature



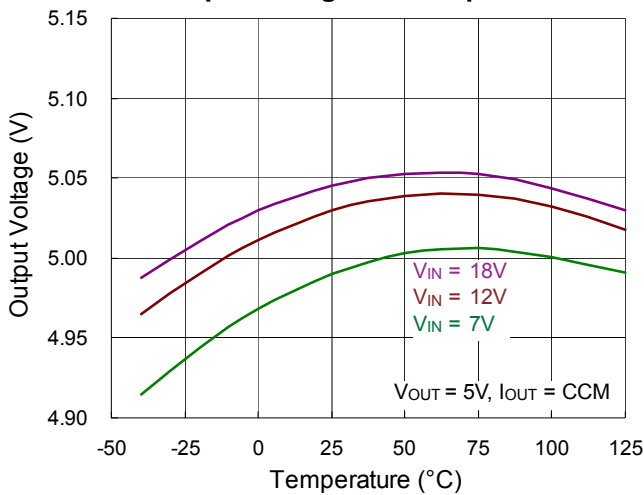
UVLO Voltage vs. Temperature



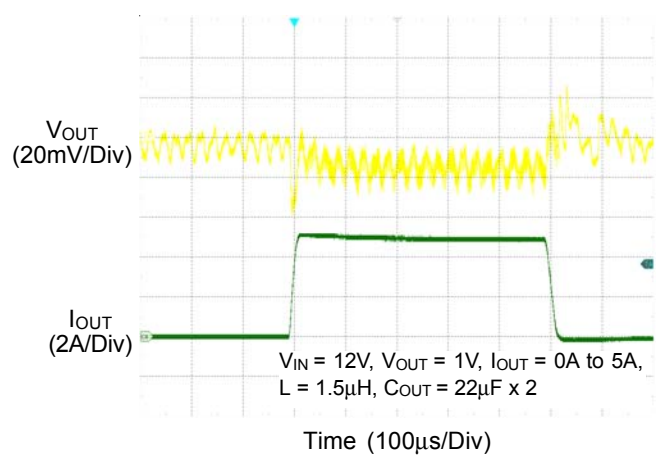
Output Voltage vs. Temperature



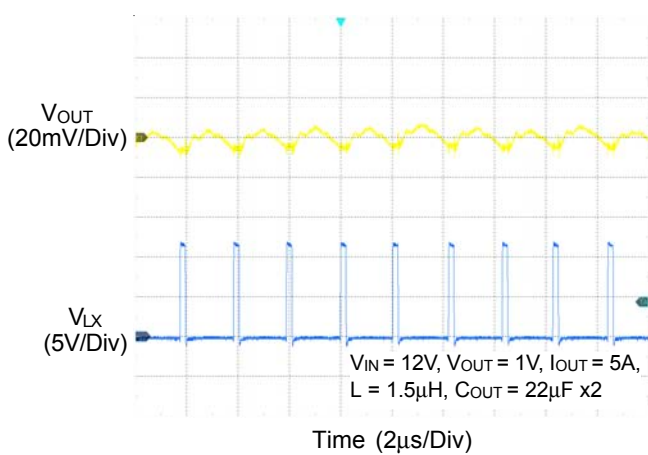
Output Voltage vs. Temperature



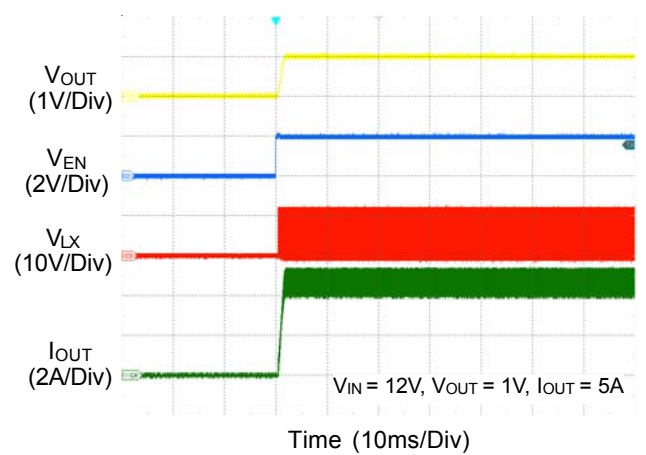
Load Transient Response



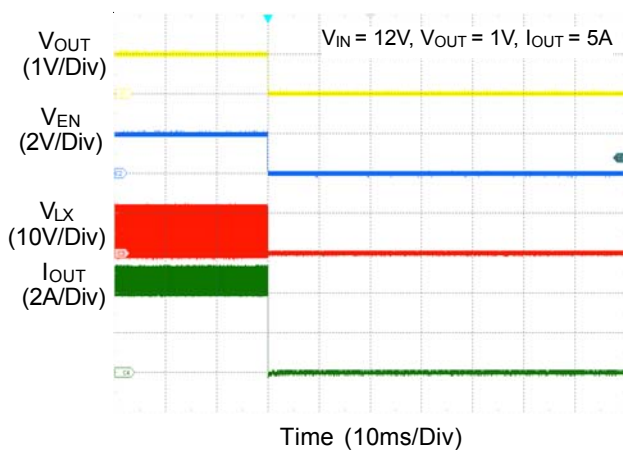
Output Ripple Voltage



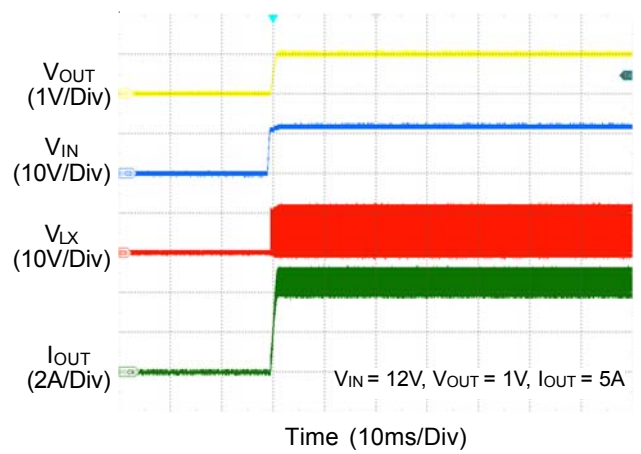
Power On from EN



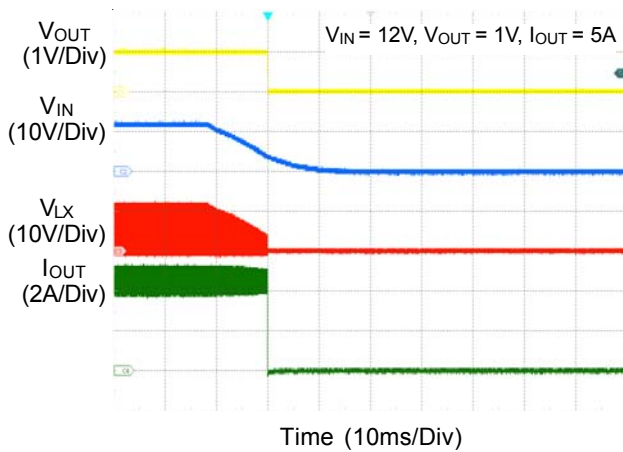
Power Off from EN



Power On from VIN



Power Off from VIN



Application Information

Inductor Selection

The consideration of inductor selection includes inductance, RMS current rating and, saturation current rating. The inductance selection is generally flexible and is optimized for the low cost, low physical size, and high system performance.

Choosing lower inductance to reduce physical size and cost, and it is useful to improve the transient response. However, it causes the higher inductor peak current and output ripple voltage to decrease system efficiency. Conversely, higher inductance increase system efficiency, but the physical size of inductor will become larger and transient response will be slow because more transient time is required to change current (up or down) by inductor. A good compromise between size, efficiency, and transient response is to set a inductor ripple current (ΔI_L) about 20% to 50% of the desired full output load current.

Calculate the approximate inductance by the input voltage, output voltage, switching frequency (f_{SW}), maximum rated output current ($I_{OUT(MAX)}$) and inductor ripple current (ΔI_L).

$$L = \frac{V_{OUT} \times (V_{IN} - V_{OUT})}{V_{IN} \times f_{SW} \times \Delta I_L}$$

Once the inductance is chosen, the inductor ripple current (ΔI_L) and peak inductor current can be calculated.

$$\Delta I_L = \frac{V_{OUT} \times (V_{IN} - V_{OUT})}{V_{IN} \times f_{SW} \times L}$$

$$I_{L(PEAK)} = I_{OUT(MAX)} + \frac{1}{2} \Delta I_L$$

$$I_{L(VALLY)} = I_{OUT(MAX)} - \frac{1}{2} \Delta I_L$$

The typical operating circuit design for the RT6255A/B, the output voltage is 1V, maximum rated output current is 5A, input voltage is 12V, and inductor ripple current is 1.5A which is 30% of the maximum rated output current, the calculated inductance value is :

$$L = \frac{1 \times (12 - 1)}{12 \times 500 \times 10^3 \times 1.5} = 1.23 \mu H$$

The inductor ripple current set at 1.5A and so we select 1.5 μ H inductance. The actual inductor ripple current and required peak current is shown as below :

$$\Delta I_L = \frac{1 \times (12 - 1)}{12 \times 500 \times 10^3 \times 1.5 \times 10^{-6}} = 1.23 A$$

$$I_{L(PEAK)} = I_{OUT(MAX)} + \frac{1}{2} \Delta I_L = 5 + \frac{1.23}{2} = 5.615 A$$

Inductor saturation current should be chosen over IC's valley current limit.

Input Capacitor Selection

The effective input capacitance is a function of the input voltage (V_{IN}), output voltage (V_{OUT}), rated output current (I_{OUT}), switching frequency (f_{SW}), and input ripple voltage of the regulator (ΔV_{INP}) :

$$C_{IN(MIN)} = \frac{I_{OUT} \times \frac{V_{OUT}}{V_{IN}} \times \left(1 - \frac{V_{OUT}}{V_{IN}}\right)}{f_{SW} \times \Delta V_{INP}}$$

Ceramic capacitors are most often used because of their low cost, small size, high RMS current ratings, and robust surge current capabilities. It should pay attention that value of capacitors change as temperature, bias voltage, and operating frequency change. For example the capacitance value of a capacitor decreases as the dc bias across the capacitor increases. Several ceramic capacitors may be paralleled to meet the RMS current, size, and height requirements of the application. Considering the DC bias effects for the input capacitor, the typical operating circuit used two 10 μ F low ESR ceramic capacitors on the VIN pin and an additional 0.1 μ F is recommended to place as close as possible to the IC input side for high frequency filtering.

Output Capacitor Selection

The RT6255A/B is optimized for output terminal with ceramic capacitors application and best performance will be obtained using them. The total output capacitance value is usually determined by the desired output ripple voltage level and transient response requirements for sag which is undershoot on positive load steps and soar which is overshoot on negative load steps.

Output Ripple Voltage

Output ripple voltage at the switching frequency is caused by the inductor current ripple and its effect on the output capacitor's ESR and stored charge. These two ripple components are called ESR ripple and capacitive ripple.

Since ceramic capacitors have extremely low ESR and relatively little capacitance, both components are similar in amplitude and both should be considered if ripple is critical.

$$V_{\text{RIPPLE}} = V_{\text{RIPPLE(ESR)}} + V_{\text{RIPPLE(C)}}$$

$$V_{\text{RIPPLE(ESR)}} = \Delta I_L \times R_{\text{ESR}}$$

$$V_{\text{RIPPLE(C)}} = \frac{\Delta I_L}{8 \times C_{\text{OUT}} \times f_{\text{SW}}}$$

The typical operating circuit design for the RT6255A/B, the output voltage is 1V, inductor ripple current is 1.23A, and using 2 pieces of 22μF output capacitor with about 5mΩ ESR, the output voltage ripple components are :

$$V_{\text{RIPPLE(ESR)}} = \Delta I_L \times R_{\text{ESR}} = 1.23\text{A} \times 5\text{m}\Omega = 6.15\text{mV}$$

$$V_{\text{RIPPLE(C)}} = \frac{\Delta I_L}{8 \times C_{\text{OUT}} \times f_{\text{SW}}} = \frac{1.23\text{A}}{8 \times 44\mu\text{F} \times 500\text{kHz}} = 6.99\text{mV}$$

$$V_{\text{RIPPLE}} = V_{\text{RIPPLE(ESR)}} + V_{\text{RIPPLE(C)}} = 13.13\text{mV}$$

Output Transient Undershoot and Overshoot

In addition to output ripple voltage at the switching frequency, the output capacitor and its ESR also affect the voltage sag (undershoot) and soar (overshoot) when the load steps up and down abruptly. The ACOT™ transient response is very quick and output transients are usually small. However, the combination of small ceramic output capacitors (with little capacitance), low output voltages (with little stored charge in the output capacitors), and low duty cycle applications (which require high inductance to get reasonable ripple currents with high input voltages) increases the size of voltage variations in response to very quick load changes. Typically, load changes occur slowly with respect to the IC's 500kHz switching frequency.

But some modern digital loads can exhibit nearly instantaneous load changes and the following section shows how to calculate the worst-case voltage swings in response to very fast load steps.

The output voltage transient undershoot and overshoot each have two components : the voltage steps caused by the output capacitor's ESR, and the voltage sag and soar due to the finite output capacitance and the inductor current slew rate. Use the following formulas to check if the ESR is low enough (typically not a problem with ceramic capacitors) and the output capacitance is large enough to prevent excessive sag and soar on very fast load step edges, with the chosen inductor value.

The amplitude of the ESR step up or down is a function of the load step and the ESR of the output capacitor :

$$V_{\text{ESR_STEP}} = \Delta I_{\text{OUT}} \times R_{\text{ESR}}$$

The amplitude of the capacitive sag is a function of the load step, the output capacitor value, the inductor value, the input-to-output voltage differential, and the maximum duty cycle. The maximum duty cycle during a fast transient is a function of the on-time and the minimum off-time since the ACOT™ control scheme will ramp the current using on-times spaced apart with minimum off-times, which is as fast as allowed. Calculate the approximate on-time (neglecting parasitics) and maximum duty cycle for a given input and output voltage as :

$$t_{\text{ON}} = \frac{V_{\text{OUT}}}{V_{\text{IN}} \times f_{\text{SW}}} \text{ and } D_{\text{MAX}} = \frac{t_{\text{ON}}}{t_{\text{ON}} + t_{\text{OFF_MIN}}}$$

The actual on-time will be slightly longer as the IC compensates for voltage drops in the circuit, but we can neglect both of these since the on-time increase compensates for the voltage losses. Calculate the output voltage sag as :

$$V_{\text{SAG}} = \frac{L \times (\Delta I_{\text{OUT}})^2}{2 \times C_{\text{OUT}} \times (V_{\text{IN(MIN)}} \times D_{\text{MAX}} - V_{\text{OUT}})}$$

The amplitude of the capacitive soar is a function of the load step, the output capacitor value, the inductor value and the output voltage :

$$V_{\text{SOAR}} = \frac{L \times (\Delta I_{\text{OUT}})^2}{2 \times C_{\text{OUT}} \times V_{\text{OUT}}}$$

Feedforward Capacitor (C_{FF})

The RT6255A/B is optimized for ceramic output capacitors and for low duty cycle applications. However for high-output voltages, with high feedback attenuation, the circuit's transient response can be slowed. In high-output voltage circuits transient response is improved by adding a small “feedforward” capacitor (C_{FF}) across the upper FB divider resistor (Figure 3), to speed up the transient response without affecting the steady-state stability of the circuit. Choose a suitable capacitor value that following suggested component BOM.

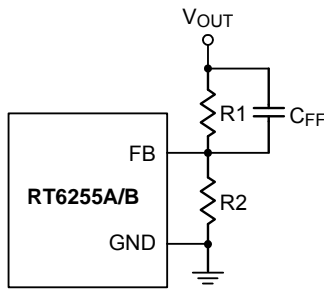


Figure 3. C_{FF} Capacitor Setting

Enable Operation (EN)

For automatic start-up the high-voltage EN pin can be connected to V_{IN}, through a 100kΩ resistor. Its large hysteresis band makes EN useful for simple delay and timing circuits. EN can be externally pulled to V_{IN} by adding a resistor-capacitor delay (R_{EN} and C_{EN} in Figure 4). Calculate the delay time using EN's internal threshold where switching operation begins.

An external MOSFET can be added to implement digital control of EN when no system voltage above 2V is available (Figure 5). In this case, a 100kΩ pull-up resistor, R_{EN}, is connected between V_{IN} and the EN pin. MOSFET Q1 will be under logic control to pull down the EN pin. To prevent enabling circuit when V_{IN} is smaller than the V_{OUT} target value or some other desired voltage level, a resistive voltage divider can be placed between the input voltage and ground and connected to EN to create an additional input under voltage lockout threshold (Figure 6).

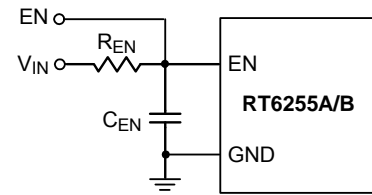


Figure 4. External Timing Control

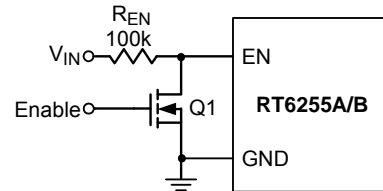


Figure 5. Digital Enable Control Circuit

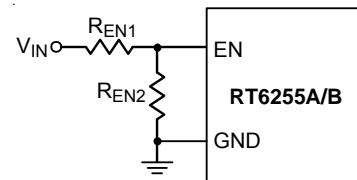


Figure 6. Resistor Divider for Lockout Threshold Setting

Output Voltage Setting

Set the desired output voltage using a resistive divider from the output to ground with the midpoint connected to FB. The output voltage is set according to the following equation :

$$V_{OUT} = 0.6V \times \left(1 + \frac{R1}{R2}\right)$$

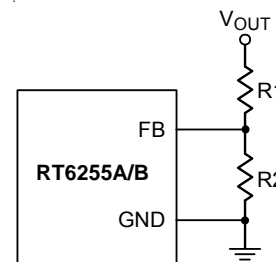


Figure 7. Output Voltage Setting

Place the FB resistors within 5mm of the FB pin. Choose R2 between 10kΩ and 100kΩ to minimize power consumption without excessive noise pick-up and calculate R1 as follows :

$$R1 = \frac{R2 \times (V_{OUT} - V_{REF})}{V_{REF}}$$

For output voltage accuracy, use divider resistors with 1% or better tolerance.

External BOOT Bootstrap Diode

When the input voltage is lower than 5.5V it is recommended to add an external bootstrap diode between VIN and the BOOT pin to improve enhancement of the internal MOSFET switch and improve efficiency. The bootstrap diode can be a low cost one such as 1N4148 or BAT54.

External BOOT Capacitor Series Resistance

The internal power MOSFET switch gate driver is optimized to turn the switch on fast enough for low power loss and good efficiency, but also slow enough to reduce EMI. Switch turn-on is when most EMI occurs since V_{LX} rises rapidly. During switch turn-off, LX is discharged relatively slowly by the inductor current during the dead time between high-side and low-side switch on-times. In some cases it is desirable to reduce EMI further, at the expense of some additional power dissipation. The switch turn-on can be slowed by placing a small ($<47\Omega$) resistance between BOOT and the external bootstrap capacitor. This will slow the high-side switch turn-on and V_{LX} 's rise. To remove the resistor from the capacitor charging path (avoiding poor enhancement due to undercharging the BOOT capacitor), use the external diode shown in Figure 8 to charge the BOOT capacitor and place the resistance between BOOT and the capacitor/diode connection.

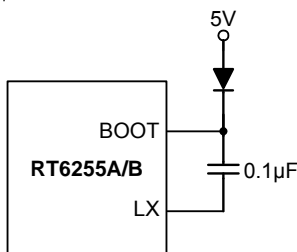


Figure 8. External Bootstrap Diode

Thermal Considerations

The junction temperature should never exceed the absolute maximum junction temperature $T_{J(MAX)}$, listed under Absolute Maximum Ratings, to avoid permanent damage to the device. The maximum allowable power dissipation depends on the thermal resistance of the IC package, the PCB layout, the rate of surrounding airflow, and the difference between the junction and ambient temperatures. The maximum power dissipation can be calculated using the following formula :

$$P_{D(MAX)} = (T_{J(MAX)} - T_A) / \theta_{JA}$$

where $T_{J(MAX)}$ is the maximum junction temperature, T_A is the ambient temperature, and θ_{JA} is the junction-to-ambient thermal resistance.

For continuous operation, the maximum operating junction temperature indicated under Recommended Operating Conditions is 125°C. The junction-to-ambient thermal resistance, θ_{JA} , is highly package dependent. For a TSOT-23-6 (FC) package, the thermal resistance, θ_{JA} , is 52°C/W on a standard JEDEC 51-7 high effective-thermal-conductivity four-layer test board. For a TSOT-23-8 (FC) package, the thermal resistance, θ_{JA} , is 52°C/W on a standard JEDEC 51-7 high effective-thermal-conductivity four-layer test board. The maximum power dissipation at $T_A = 25^\circ\text{C}$ can be calculated as below :

$$P_{D(MAX)} = (125^\circ\text{C} - 25^\circ\text{C}) / (52^\circ\text{C/W}) = 1.923\text{W for a TSOT-23-6 (FC) package.}$$

$$P_{D(MAX)} = (125^\circ\text{C} - 25^\circ\text{C}) / (52^\circ\text{C/W}) = 1.923\text{W for a TSOT-23-8 (FC) package.}$$

The maximum power dissipation depends on the operating ambient temperature for the fixed $T_{J(MAX)}$ and the thermal resistance, θ_{JA} . The derating curves in Figure 9 allows the designer to see the effect of rising ambient temperature on the maximum power dissipation.

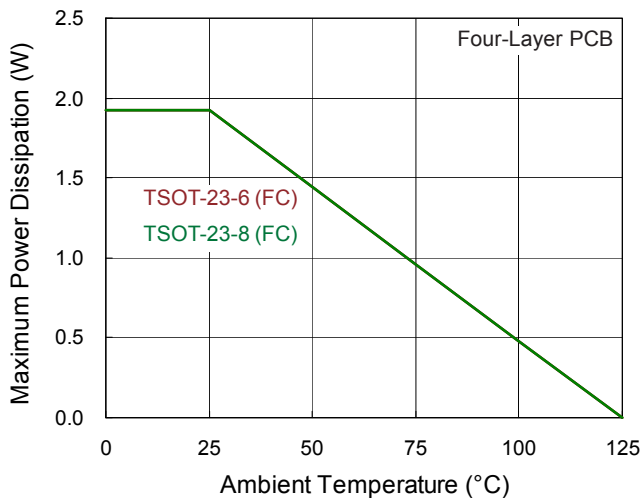


Figure 9. Derating Curve of Maximum Power Dissipation

Layout Considerations

Follow the PCB layout guidelines for optimal performance of the device.

- ▶ Keep the traces of the main current paths as short and wide as possible.
- ▶ Put the input capacitor as close as possible to VIN pin.
- ▶ LX node is with high frequency voltage swing and should be kept at small area. Keep analog components away from the LX node to prevent stray capacitive noise pickup.
- ▶ Connect feedback network behind the output capacitors. Keep the loop area small. Place the feedback components near the device.
- ▶ Connect all analog grounds to a common node and then connect the common node to the power ground behind the output capacitors.
- ▶ The AGND pin is suggested to connect to 2nd GND plate through top to 2nd via.
- ▶ An example of RT6255A/B PCB layout guide is shown in Figure 10 and Figure 11 for references.

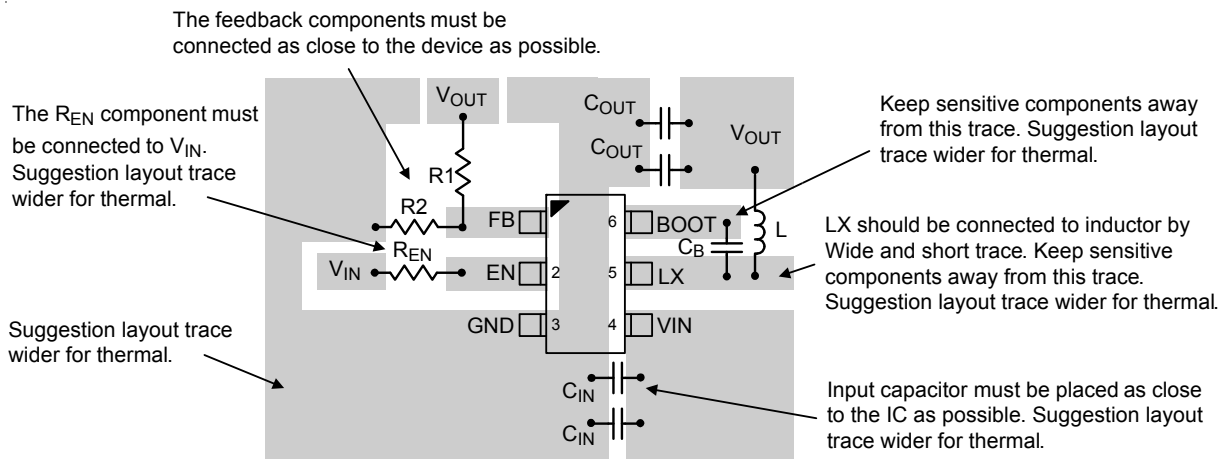


Figure 10. PCB Layout Guide for TSOT-23-6 package

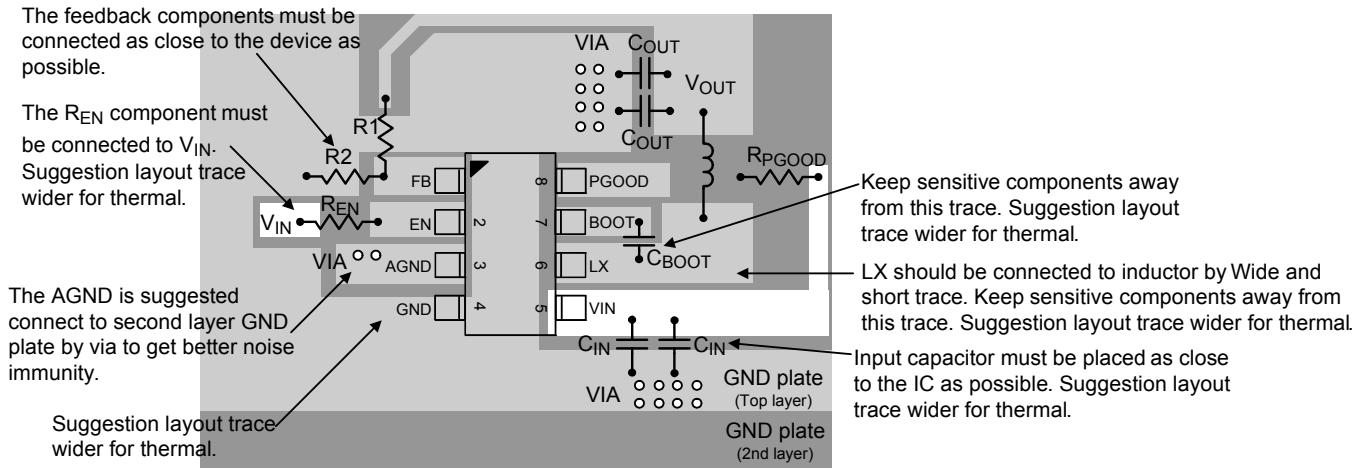
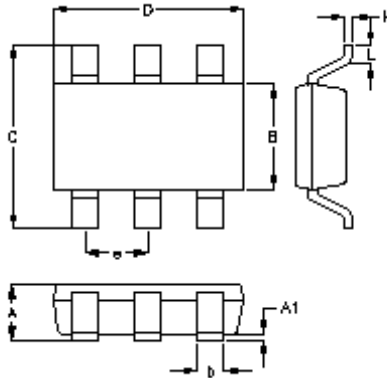


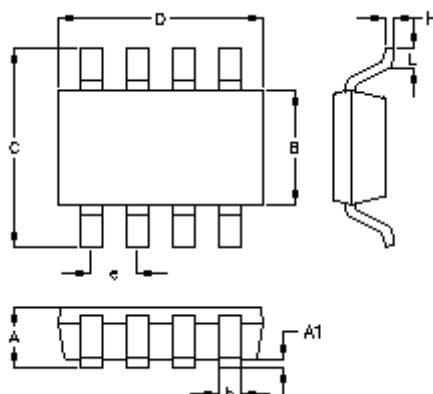
Figure 11. PCB Layout Guide for TOST-23-8 package

Outline Dimension



Symbol	Dimensions In Millimeters		Dimensions In Inches	
	Min.	Max.	Min.	Max.
A	0.700	1.000	0.028	0.039
A1	0.000	0.100	0.000	0.004
B	1.397	1.803	0.055	0.071
b	0.300	0.559	0.012	0.022
C	2.591	3.000	0.102	0.118
D	2.692	3.099	0.106	0.122
e	0.950		0.037	
H	0.080	0.254	0.003	0.010
L	0.300	0.610	0.012	0.024

TSOT-23-6 (FC) Surface Mount Package



Symbol	Dimensions In Millimeters		Dimensions In Inches	
	Min.	Max.	Min.	Max.
A	0.700	1.000	0.028	0.039
A1	0.000	0.100	0.000	0.004
B	1.397	1.803	0.055	0.071
b	0.220	0.380	0.009	0.015
C	2.591	3.000	0.102	0.118
D	2.692	3.099	0.106	0.122
e	0.585	0.715	0.023	0.028
H	0.080	0.254	0.003	0.010
L	0.300	0.610	0.012	0.024

TSOT-23-8 (FC) Surface Mount Package

Richtek Technology Corporation

14F, No. 8, Tai Yuen 1st Street, Chupei City

Hsinchu, Taiwan, R.O.C.

Tel: (8863)5526789

Richtek products are sold by description only. Customers should obtain the latest relevant information and data sheets before placing orders and should verify that such information is current and complete. Richtek cannot assume responsibility for use of any circuitry other than circuitry entirely embodied in a Richtek product. Information furnished by Richtek is believed to be accurate and reliable. However, no responsibility is assumed by Richtek or its subsidiaries for its use; nor for any infringements of patents or other rights of third parties which may result from its use. No license is granted by implication or otherwise under any patent or patent rights of Richtek or its subsidiaries.