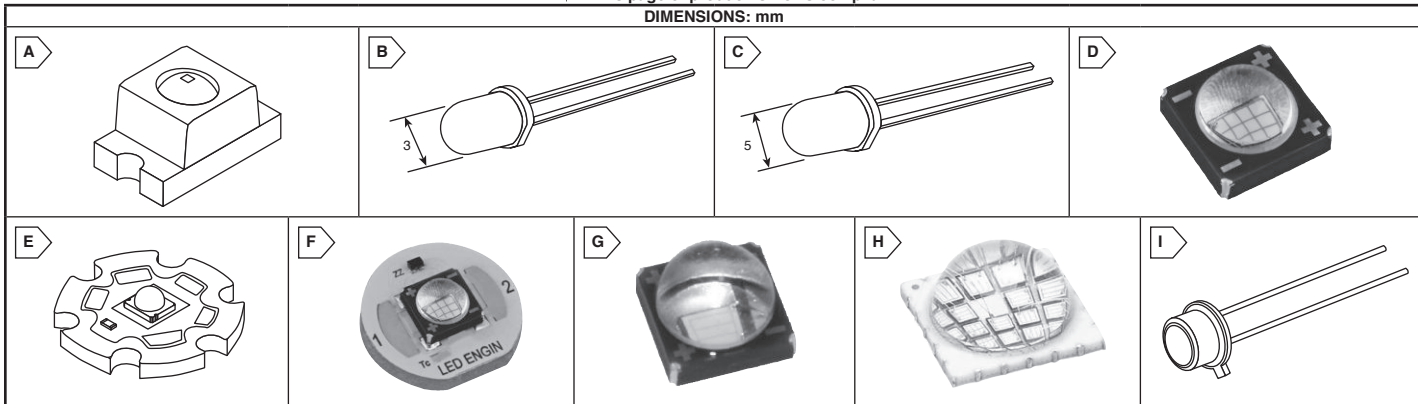


# Ultra-Violet (UV) LEDs

RoHS Compliant This page of product is RoHS compliant.

LED Indication



## BIVAR UV LEDs

SMD

For quantities greater than listed, call for quote.

MOUSER STOCK NO.	Bivar Part No.	Fig.	Package	Wavelength (nm)	Intensity (mW)	Voltage (VDC)	Viewing Angle	Price Each			
								1	10	50	100
749-SM0603UV-390	SM0603UV-390	A	0603	395	10	3.4	130°	2.97	2.32	-	1.85
749-SM0603UV-395	SM0603UV-395	A	0603	400	10	3.4	130°	1.05	.761	-	.623
749-SM0603UV-400	SM0603UV-400	A	0603	405	10	3.4	130°	1.05	.761	-	.623
749-SM0603UV-405	SM0603UV-405	A	0603	410	10	3.4	130°	1.05	.761	-	.623
749-SM1206UV-405-IL	SM1206UV-405-IL	A	1206	405	0.65	3.4	30°	2.14	1.99	1.85	1.74

## Through Hole

For quantities greater than listed, call for quote.

MOUSER STOCK NO.	Bivar Part No.	Fig.	Package	Wavelength (nm)	Optical Power Output (mW)		Voltage (VDC)	Viewing Angle	Price Each			
					Min.	Typ.			1	10	50	100
749-UV3TZ-390-15	UV3TZ-390-15	B	T-1	390	5	10	3.4	15°	1.76	1.35	1.15	.945
749-UV3TZ-395-15	UV3TZ-395-15	B	T-1	395	5	10	3.4	15°	1.22	1.12	1.07	.95
749-UV3TZ-400-15	UV3TZ-400-15	B	T-1	400	5	10	3.4	15°	1.60	1.17	1.05	.909
749-UV3TZ-405-15	UV3TZ-405-15	B	T-1	405	5	10	3.4	15°	1.55	1.17	1.05	.909
749-UV3TZ-390-30	UV3TZ-390-30	B	T-1	390	5	10	3.4	30°	1.76	1.35	1.15	.945
749-UV3TZ-395-30	UV3TZ-395-30	B	T-1	395	5	10	3.4	30°	1.55	1.17	1.05	.909
749-UV3TZ-400-30	UV3TZ-400-30	B	T-1	400	5	10	3.4	30°	1.22	1.12	1.07	.95
749-UV3TZ-405-30	UV3TZ-405-30	B	T-1	405	5	10	3.4	30°	1.55	1.17	1.05	.909
749-UV5TZ-390-15	UV5TZ-390-15	C	T-1 3/4	390	10	20	3.4	15°	1.76	1.35	1.15	.945
749-UV5TZ-395-15	UV5TZ-395-15	C	T-1 3/4	395	10	20	3.4	15°	1.60	1.17	1.05	.909
749-UV5TZ-400-15	UV5TZ-400-15	C	T-1 3/4	400	10	20	3.4	15°	1.57	1.17	1.05	.909
749-UV5TZ-405-15	UV5TZ-405-15	C	T-1 3/4	405	10	20	3.4	15°	1.57	1.17	1.05	.909
749-UV5TZ-390-30	UV5TZ-390-30	C	T-1 3/4	390	10	20	3.4	30°	1.76	1.35	1.15	.945
749-UV5TZ-395-30	UV5TZ-395-30	C	T-1 3/4	395	10	20	3.4	30°	1.57	1.17	1.09	.909
749-UV5TZ-400-30	UV5TZ-400-30	C	T-1 3/4	400	10	20	3.4	30°	1.55	1.17	1.09	.909
749-UV5TZ-405-30	UV5TZ-405-30	C	T-1 3/4	405	10	20	3.4	30°	1.55	1.17	1.05	.909

## LED ENGIN HIGH-POWER UV LEDs

For quantities greater than listed, call for quote.

MOUSER STOCK NO.	LED Engin Part No.	Fig.	Wattage	Wavelength (nm)	Radiant Flux (Typ.) (mW)	Voltage (Typ.) (VDC)	Current (mA)	Viewing Angle	Price Each			
									1	10	25	100
897-LZ100UV000000	LZ1-00UV00-0000	D	2.8	370	800	4.1	700	70°	35.75	34.32	27.17	20.74
897-LZ110UV000000	LZ1-10UV00-0000	E	2.8	370	800	4.1	700	70°	35.48	31.35	28.14	23.93
897-LZ130UV000000	LZ1-30UV00-0000	F	2.8	370	800	4.1	700	70°	35.48	31.35	28.14	23.93
897-LZ100UA00-U4	LZ1-00UA00-U4	G	5	390	550	3.9	700	85°	22.88	22.00	17.60	13.20
897-LZ110UA00-U4	LZ1-10UA00-U4	E	5	390	550	3.9	700	85°	23.65	20.90	20.82	15.95
897-LZ100UA00-U5	LZ1-00UA00-U5	G	5	395	550	3.9	700	85°	22.88	22.00	17.60	13.20
897-LZ110UA00-U5	LZ1-10UA00-U5	E	5	395	550	3.9	700	85°	23.65	20.90	20.82	15.95
897-LZ100UA00-U6	LZ1-00UA00-U6	G	5	400	550	3.9	700	85°	22.88	22.00	17.60	13.20
897-LZ110UA00-U6	LZ1-10UA00-U6	E	5	400	550	3.9	700	85°	23.65	20.90	20.82	15.95
897-LZ110UA00-U7	LZ1-10UA00-U7	E	5	405	550	3.9	700	85°	23.65	20.90	20.82	15.95
897-LZ100UA00-U8	LZ1-00UA00-U8	G	5	410	550	3.9	700	85°	22.88	22.00	17.60	14.52
897-LZ110UA00-U8	LZ1-10UA00-U8	E	5	410	550	3.9	700	85°	23.65	20.90	20.82	15.95
897-LZ400UA00	LZ4-00UA00	-	10	400	2100	15.6	700	115°	85.79	82.91	80.05	76.97
897-LZ440UA00-U4	LZ4-40UA00-U4	E	10	390	2100	15.6	700	115°	38.88	34.35	30.02	26.22
897-LZ440UA00-U6	LZ4-40UA00-U6	E	10	400	2100	15.6	700	115°	57.75	51.15	50.76	50.36
897-LZ440UA00-U7	LZ4-40UA00-U7	E	10	405	2100	15.6	700	115°	38.88	34.35	30.02	26.22
897-LZ440UA00-U8	LZ4-40UA00-U8	E	10	410	2100	15.6	700	115°	57.75	51.15	50.36	45.60
897-LZC70UA00-U4	LZC-70UA00-U4	E	40	390	5600	44	700	95°	112.42	106.80	101.58	100.38
897-LZC70UA00-U5	LZC-70UA00-U5	E	40	395	5600	44	700	95°	112.42	106.80	101.58	100.38
897-LZC70UA00-U7	LZC-70UA00-U7	E	40	405	5600	44	700	95°	112.42	106.80	101.58	100.38
897-LZC70UA00-U8	LZC-70UA00-U8	E	40	410	5600	44	700	95°	112.42	106.80	101.58	100.38
897-LZPD0UA000U5	LZP-D0UA00-00U5	H	90	395	27000	22	1000	115°	210.96	200.43	195.82	188.36

## LUMEX UV LED

For quantities greater than listed, call for quote.

MOUSER STOCK NO.	Lumex Part No.	Fig.	Package	Wavelength (nm)	Optical Power Output (mW)		Voltage (VDC)	Viewing Angle	Price Each			
					Min.	Typ.			1	10	50	100
696-SSL-LXTO46375C	SSL-LXTO46375C	I	TO-46	377	-	1.3	3.6	80°	22.75	20.77	20.43	16.29

## VCC UV LEDs

For quantities greater than listed, call for quote.

MOUSER STOCK NO.	VCC Part No.	Fig.	Package	Wavelength (nm)	Intensity (mcd)	Voltage (VDC)	Viewing Angle	Price Each			
								1	10	50	100
593-VAOL3EUUV0Y4	VAOL-3EUUV0Y4	B	T-1	405	150	3.0	15°	.77	.694	.507	.479
593-VAOL5EUUV0T4	VAOL-5EUUV0T4	C	T-1 3/4	405	200	3.0	15°	.83	.778	.551	.507
593-VAOL5EUUV8T4	VAOL-5EUUV8T4	C	T-1 3/4	385	100	3.0	15°	1.00	.895	.653	.617
593-VAOL5GUV0T4	VAOL-5GUV0T4	C	T-1 3/4	405	160	3.0	30°	.77	.694	.507	.479
593-VAOL5GUV8T4	VAOL-5GUV8T4	C	T-1 3/4	385	80	3.0	30°	1.00	.895	.653	.617