

5A Synchronous Step-Down DC/DC

Features

- 5A Output Current*
- 75mΩ Internal Power MOSFET Switch
- Stable with Low ESR Output Ceramic Capacitors or POSCAPs
- Less Than 1μA Shutdown Current
- 1MHz Switching Frequency
- Thermal Shutdown
- Cycle-by-Cycle Over Current Protection
- Output Adjustable from 0.6V to V_{IN}
- Available in SOP-8 (FD) Package

*The output voltage should be less than 1.8V. If the V_{out} setting is larger than 1.8V, the output current will be less than 5A because of thermal protection.

Applications

- NB
- Distributed Power Systems
- Pre-Regulator for Linear Regulators

General Description

The G5676 is a monolithic step-down switch mode regulator with a built in internal power MOSFET. It achieves a continuous output current at 1MHz switching frequency with excellent load and line regulation. Current mode operation provides fast transient response and eases of loop stabilization.

Fault condition protection includes cycle-by-cycle current limiting, output short circuit protection and thermal shutdown. In shutdown mode the regulator ground current is controlled less than 1μA. An Internal soft-start minimizes the inrush supply current at initial startup.

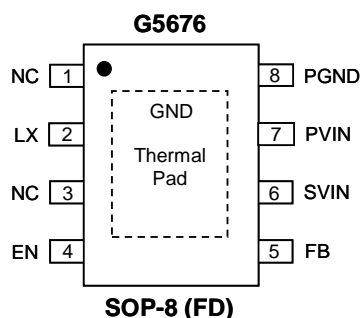
The G5676 requires a minimum number of readily available standard external components. It is available in SOP-8 (FD) package.

Ordering Information

ORDER NUMBER	MARKING	TEMP. RANGE	PACKAGE (Green)
G5676F11U	G5676	-40°C to +85°C	SOP-8 (FD)

Note: F1: SOP-8 (FD)
 1 : Bonding Code
 U : Tape & Reel

Pin Configuration



Note: Recommend connecting the Thermal Pad to the Ground for excellent power dissipation.

Typical Application Circuit

