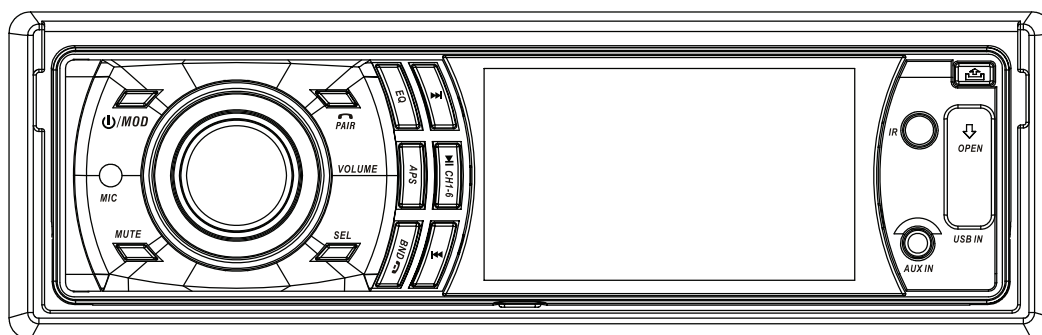




INSTRUCTION MANUAL

CAR-AUDIO W/LCD & DVD (3")

SCR-4709TVD



DEAR CUSTOMER

In order to achieve the best performance of your product, please read this instruction manual carefully before using, and keep it for future reference. If you need extra support, please write to info@premiermundo.com

PREMIER CUSTOMER SERVICE

Venezuela:	0800 ELECTRIC (353-2874)
Panama:	300-5185
Website	www.premiermundo.com
E-mail:	servicioalcliente@premiermundo.com

NOTE

This unit may be submitted to changes in specifications, characteristics and/or operation without prior notice to the user, in order to continue improving and developing its technology.

Important safety

- POWER SUPPLY :
the appliance should be connected to power supply only of the type described in the operating instruction or as marked on the appliance .
- Protect the disc mechanism :
Avoid inserting any foreign objects into the slot of this player. Failure to observe this may cause malfunction due to the precise mechanism of this unit .
- Avoid Moisture :
To reduce the risk of fire or electric shock, do not expose this equipment to rain or moisture .
- Use Recommended Accessories :
to reduce the risk of fire or electric shock, and annoying interference, use only the recommended accessories.

Content

Premier Customer Service	1	Multi-angle function.....	21
Important Safety	2	Title menu function	21
Content	3	Media Setup Menu	22
Disc Note ..	4	System Setup	22
Installation	5	Language Setup	24
Detaching control panel	6	Video Setup	25
Attaching control panel	7	Digital Setup	26
Wiring Connection	8	BT Operation	27
Remote Control	9	TV Operation	29
Basic Operation	12	AV IN Operation	30
Control Panel	12	USB Operation	30
TFT Monitor Adjustment	15	SD/MMC Card Operation	31
Rear View Camera	15	MP3/WMA/JPEG/MPEG4 Play	32
Setting Audio Mode.....	15	Specification ..	33
Setting Background.....	16	Trouble Shooting	34
Setting Animation.....	16		
Reset Factory Settings.....	16		
Radio Operation ..	17		
Listening to radio	17		
Storing and listening to a memory station.....	17		
Automatic memory storing & program scanning.....	18		
Media Operation ...	19		
Selecting Play Mode	19		
On-Screen Display Function.....	20		
Digital Video Special Function	21		
Multi-subtitle language function.....	21		
Multi-audio language function.....	21		

Disc note

DISC FORMATS

Supported Formats

The following 12 cm discs are supported:

- Digital Video (single-side discs
single-double discs)
- Video CD
- CD Audio
- MP3
- MPEG4

Discs Which Can Not Be Played

- Digital Video-RAM
- CDV
- CDG

Precautions For Disc

- Do not warp discs.
- Dirt, dust, scratches and warping disc will cause malfunction .
- Do not place stickers or make scratches on discs.
- A disc should always be kept in its case when not in use to prevent from damaging.
- Always ensure that discs are clean and dry before inserting .

Handling DISC



Label side up



Do not bend



Do not touch the underside of the disc



Wipe the disc from center toward the outside edge

DISC CLEANING

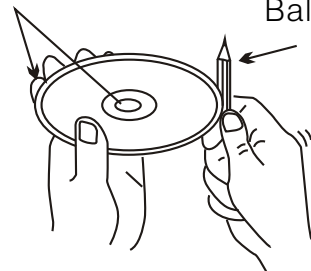
use a dry soft cloth to wipe the surface . If the disc is quite dirty, use a soft cloth slightly moistured with isopropyl (rubbing) alcohol .

Never use solvents such as benzine, thinner or conventional record cleaners as they may mar the surface of the disc.

Preparing new discs with rough spots

Roughness

Ball- point pen



New discs may have some roughness around the edge . The Digital Video player may not work properly or the video/sound reproduction may skip if such discs are used .

Note: use a ballpoint pen, etc ., To remove roughness from the edge of the disc .

INSTALLATION

NOTES:

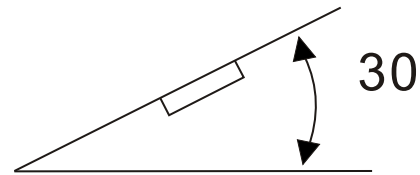
Choose the mounting location where the unit will not interfere with the normal driving function of the driver.

Before finally installing the unit, connect the wiring temporarily and make sure it is all connected up properly and the unit and the system work properly. Use only the parts included with the unit to ensure proper installation. The use of unauthorized parts can cause malfunctions.

Consult with your nearest dealer if installation requires the drilling of holes or other modifications of the vehicle.

Install the unit where it does not get in the driver's way and cannot injure the passenger if there is a sudden stop, like an emergency stop.

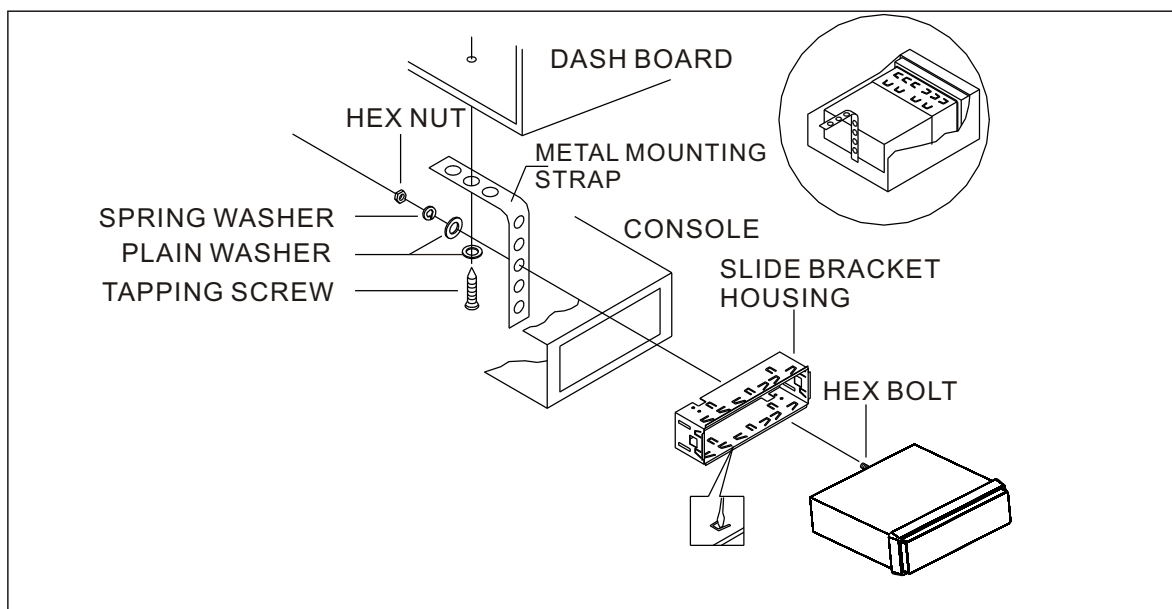
If installation angle exceeds 30 from horizontal, the unit might not give its optimum performance.

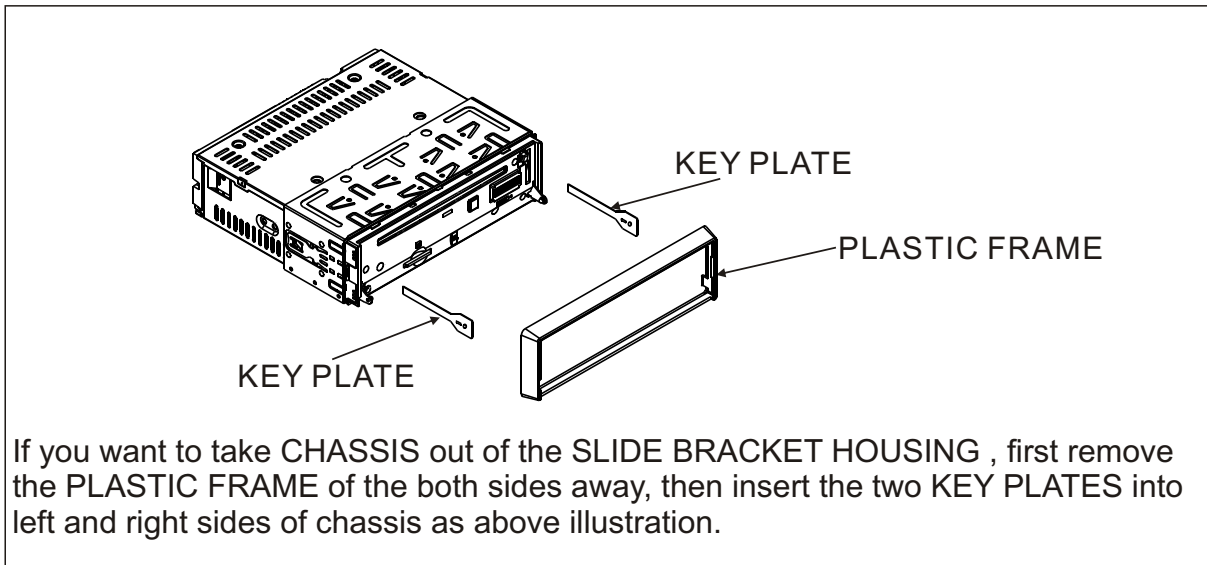


Avoid installing the unit where it would be subject to high temperature, such as from direct sunlight, or from hot air, from the heater, or where it would be subject to dust, dirt or excessive vibration.

DIN FRONT/REAR-MOUNT

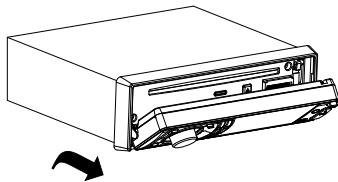
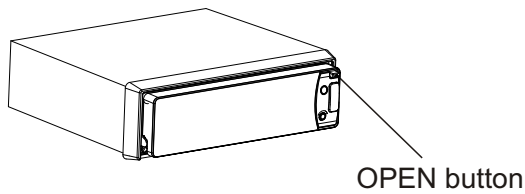
This unit can be properly installed either from "Front" (conventional DIN Front-mount) or "Rear" (DIN Rear-mount installation, utilizing threaded screw holes at the sides of the unit chassis). For details, refer to the following illustrated installation methods.



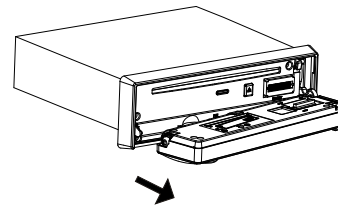
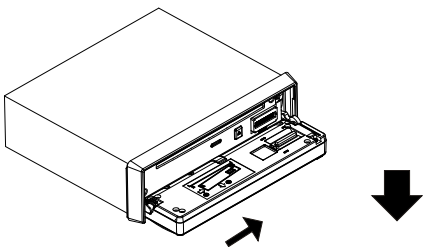


DETACHING CONTROL PANEL

1. Press the OPEN button to flip down the front panel .

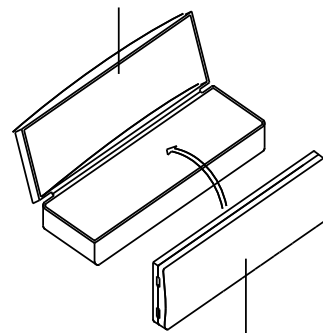


2. First slide the front panel a little to the right, and pull it off towards you .



3. put it in the protective case for safe keeping.

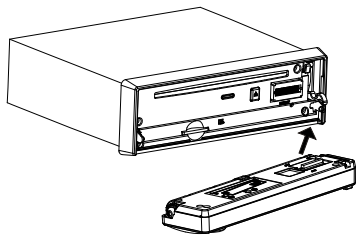
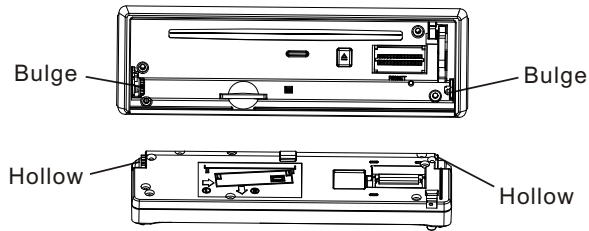
PROTECTIVE CASE



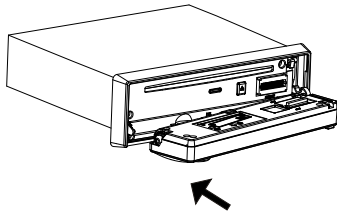
FRONT PANEL

ATTACHING CONTROL PANEL

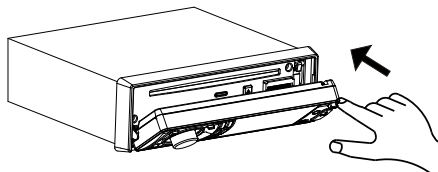
1. First, insert the right side of the front panel into the main unit.



2. Push the right side of the front panel until it locks firmly into the main unit, at one time, insert the left side of the front panel into the main unit .



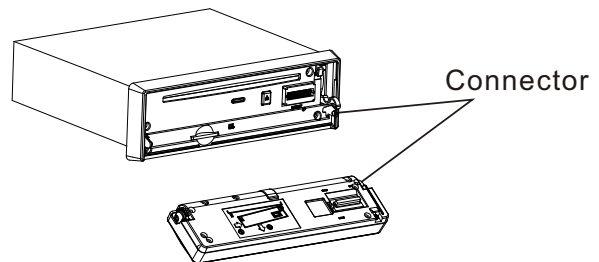
3. Push it back to the position for playing



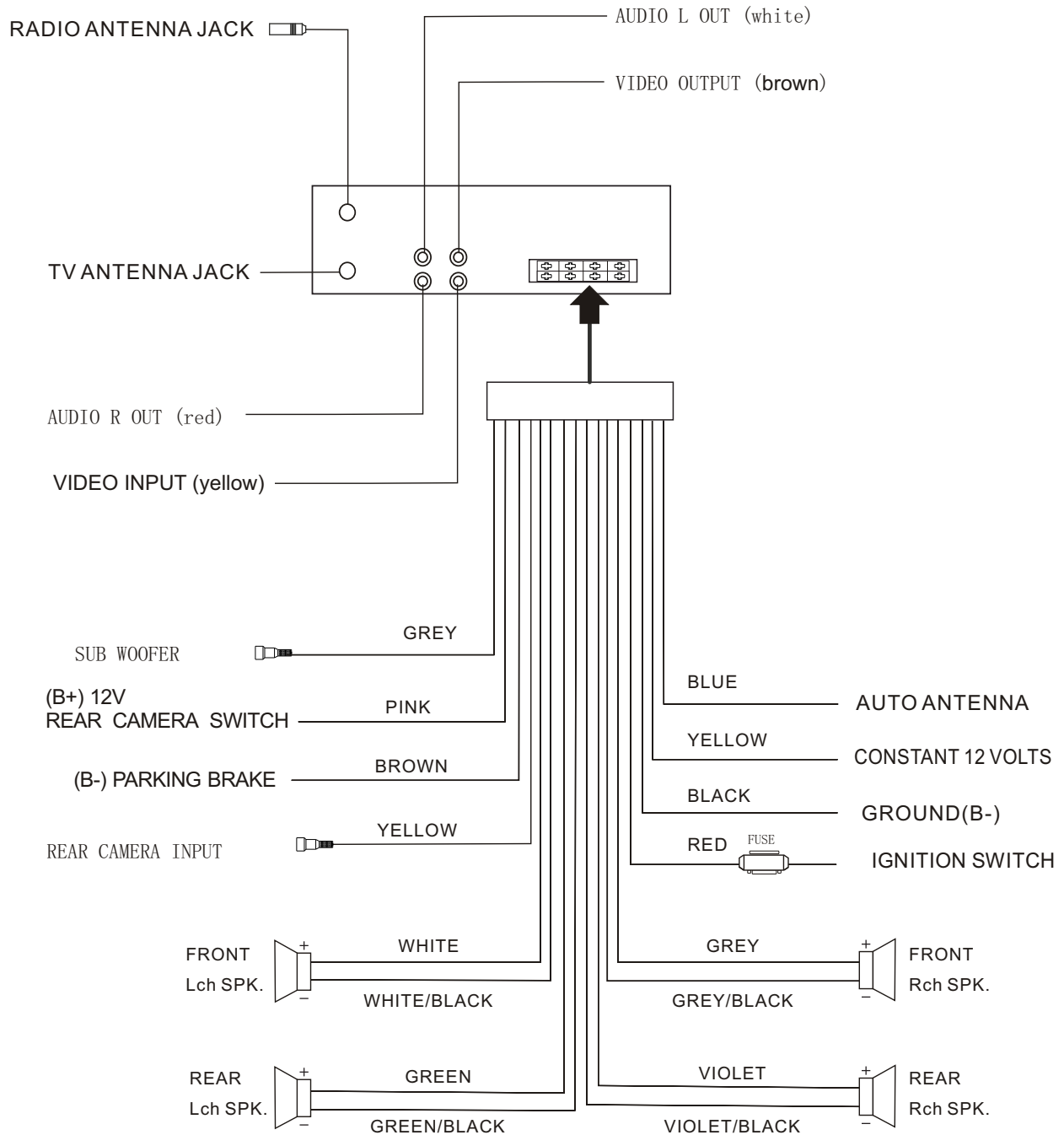
How to clean the connectors

Frequent detachment will deteriorate the connectors.

To minimize this possibility, periodically wipe the connectors with a clean, soft, dry cloth only, being careful not to damage the connectors.

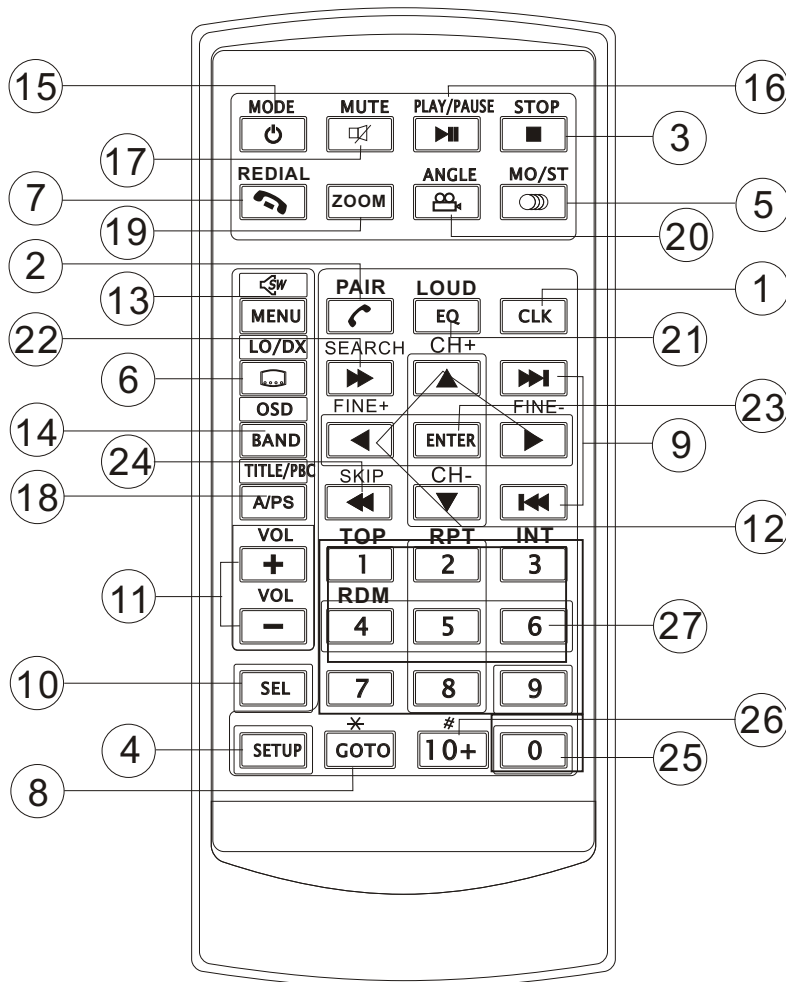


WIRE CONNECTION



Note:
 the earth connection cable (parking brake B-) must be connected in order for pictures to be played back to the monitor. If the cable has not been correctly connected, the message "PARKING BRAKE" appears on the monitor.

REMOTE CONTROL



1. **CLK** Press it briefly to show clock time.
2. **PAIR/** Press it to use the BT function , refer to the BT operation .
3. **STOP** Press once to pause playback, press PLAY/PAUSE to resume playback .
4. **SETUP** Press it to open the SETUP menu.
5. **MO/ST(AUDIO)** In radio mode, press it to select STEREO or MONO mode (when a station is weak, sometimes switching to Mono will improve sound quality) . In Digital Video mode, pressing it button opens the AUDIO setup menu for making changes to the way the soundtrack is reproduced .

6. **SUBTITLE(LO/DX)** In Digital Video Playback mode, pressing this button will allow you to change the subtitle language on discs which have this as an option. In Radio mode, press it button to change the radio reception sensitivity in stations are near or far.

7. **REDIAL/** in BT mode, press it shortly to end a telephone call or reject an incoming telephone call . Press longer to redial the last telephone number .

8. **GOTO/ *** Press this button to begin playback at a moment in the program you designate. Use the number buttons to enter the data that is needed. In BT menu, it serves as the asterisk button on your mobile handset.

9. ◀ / ▶ Press ▶ to skip to the next track & press ◀ to skip back one track. (Note: In media mode, press continually the ◀ twice to skip back one track.)

10. SEL Briefly press to switch between BASS, TREBLE, BALANCE, FADE, COLOR, BRIGHTNESS, CONTRAST, TINT and VOLUME; Long press to display BT, then briefly press to switch between LOUD, SUBWOOFER, EQ, LOCAL/DX (in radio mode), STEREO/MONO (in radio mode), CLK FMT, SET CLK, FREQUENCY AREA, ANIMATION, WALL-PAPER and TV SYSTEM. After selecting an item above, use VOL+/VOL- button to adjust.

11. VOL+/VOL- Press it to adjust volume level .

12. ▲/▼/▶/◀ Use these buttons to navigate the various menus present in the product. In TV mode, press ▶ / ◀ to fine tune. Press the ▲ / ▼ to select channel upward and downward.

13. MENU/SUB WOOFER Press it to display the root menu of the Digital Video disc. Press and hold this button to turn ON or OFF the SUBWOOFER output.

14. BAND(OSD) In Radio mode, press this button repeatedly to switch between the five radio bands . In media Playback modes, Press this button to see information about the media currently in play.

15. ⏻/MOD Press this button to turn the unit ON , press and hold to turn the unit OFF. Press it briefly to select the RADIO, DISC, USB, CARD, TV, AV IN and BT Music mode.

16. PLAY/PAUSE In media mode, press to pause or resume playback.

17. MUTE Press this button to turn off the audio. Press again to restore the sound to its prior volume level.

18. TITLE/PBC (A/P) Display the TITLE menu which is recorded on the Digital Video. changing between PBC ON and PBC OFF on the VCD disc. (Auto store and preset scan function in radio stations.)

19. ZOOM Press this button to activate the ZOOM function . Each press of the zoom button changes the screen in the sequence : 2x → 3x → 4x → ½ → 1/3 → 1/4 . Use the ▲/▼ / ▶ / ◀ buttons to move through the zoomed picture .

Note : during the JPEG playback, press the ZOOM button, the “ZOOM 100%” will appear on screen, then press the ▶ / ◀ button to increase/decrease in size, use the ▲/▼ / ▶ / ◀ buttons to move through the zoomed picture .

20. ANGLE Changing the view angle on multi-angle Digital Video disc.

21. EQ/LOUD Press it briefly to turn to equalization function. Press it longer to switch the LOUDNESS function ON and OFF .

22. SEARCH ▶▶ In TV mode, Press it to search TV channel automatically. In media mode, Press it to start forward rapidly.

23. ENTER Confirm the Track/Chapter selected with the number key or selected with the cursor buttons on TV screen.

24. SKIP ◀◀ In TV mode, press it to ADD and DELETE channel . In media mode, press it to reverse rapidly .

25. 0 - 9 These buttons are used for numeric entry in many different menus.

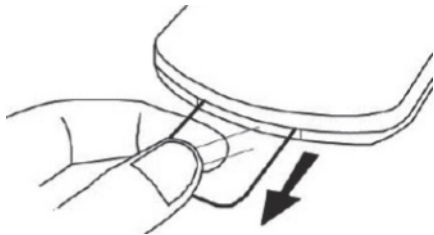
26. 10+ / # Tens digit select button, cooperatively used with numeric buttons. In BT menu, it serves as the hash button on your mobile handset.

27. RADIO PRESET Six preset memory buttons.

PREPARING THE REMOTE CONTROL

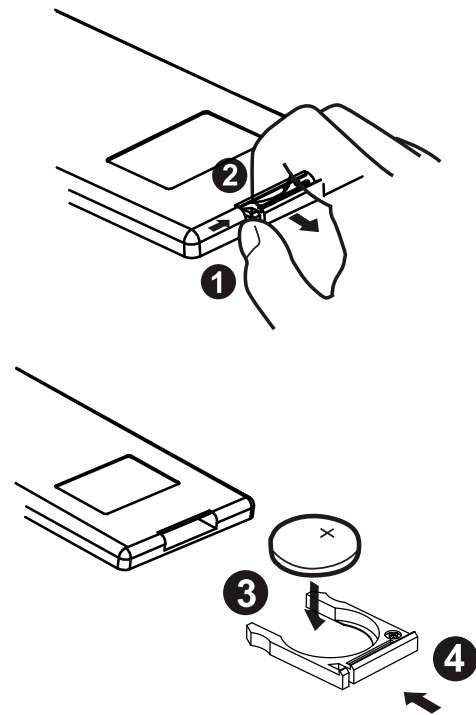
NOTE:

The lithium cell in the battery compartment of remote control has been secured for transport with a foil . Before initial use please remove this foil so that the remote control is ready for operation .



INSERTING THE BATTERIES

1. First push to inside as the direction indicated by the arrow (See ❶) and then Remove the battery holder as the direction indicated by the arrow (See ❷).
2. Replace the battery Set a new battery property with (+)side up as illustrated (See ❸).
3. Insert the battery holder. Push in the holder to the original position(See ❹).



USING THE REMOTE CONTROL

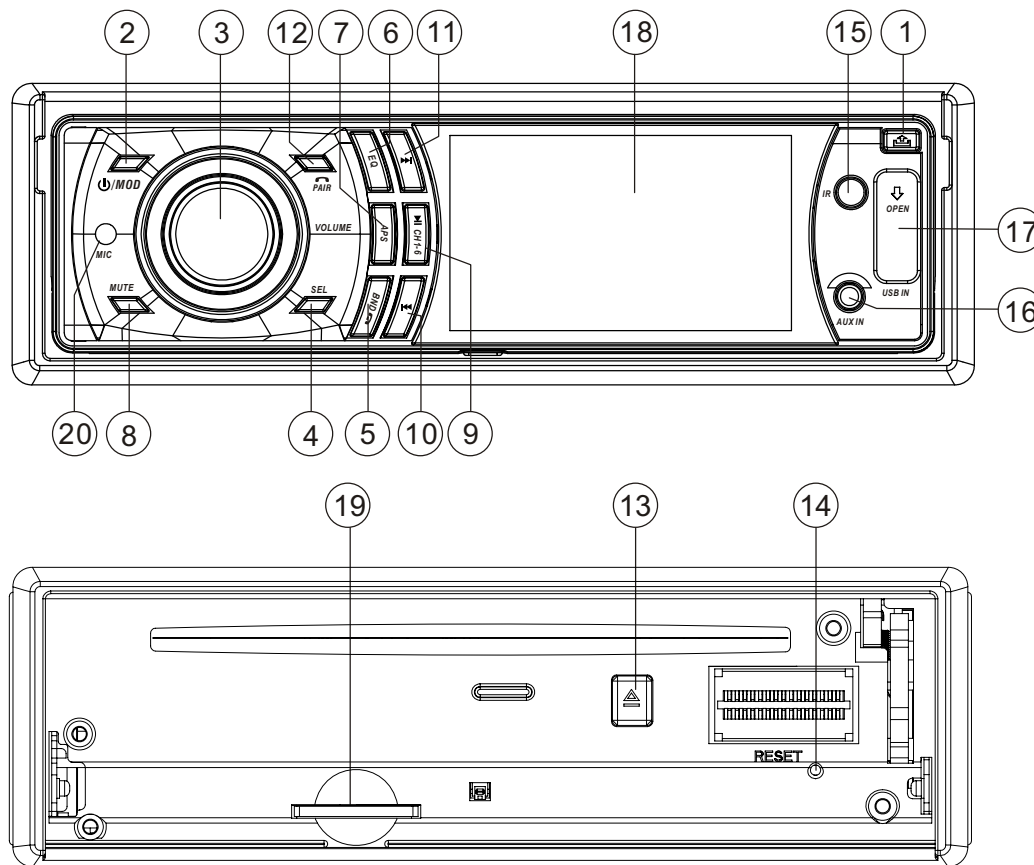
1. Face the remote control towards the player front face IR mark (remote control signal receiver).
2. Operation angle: About ± 30 degree in each the direction of the front of the IR mark.
3. The distance between remote control and sensor should not exceed 5M .

WARNING :

Do not expose the batteries to high temperatures or direct sunlight .
Never throw batteries into the fire, there is a danger of explosion !

BASIC OPERATION

Control panel



1. OPEN Button

Press it to flip down the front panel, then you can insert the CD disc into the CD compartment. You can also press the Eject button(13) to eject the disc.

2. ⏻ (POWER On/Off)/MOD Button

Press it to switch the device ON, press and hold (approximately 2 seconds) to switch the device OFF. During the playback mode, you can press it to select an input mode by pressing repeatedly until proper one is found: >RADIO>DISC >USB>CARD>TV>AV IN>BT MUSIC>

3. VOL knob

In normal mode, this knob is used to increase or decrease the volume.

If the SEL button is pressed beforehand, changes can be made in the menus, e.g. Sound mode.

4. SEL Button

Briefly press to switch between BASS, TREBLE, BALANCE, FADE, COLOR, BRIGHTNESS, CONTRAST, TINT and VOLUME; Long press to display BT, then briefly press to switch between LOUD, SUBWOOFER, EQ, LOCAL/DX(in radio mode), STEREO/MONO(in radio mode), CLK FMT, SET CLK, FREQUENCY AREA, ANIMATION, WALLPAPER and TV SYSTEM. After selecting an item above, use VOL knob to adjust.

5. BAND/ ↻ Button

In Radio mode, press this button repeatedly (or the BAND button on the remote control) to cycle through and select the desired radio band, the designation of the corresponding level- FM1, FM2, FM3, AM1(MW1), AM2(MW2)- is shown in the TFT.

In BT music mode, press the button to end the telephone call or reject an incoming the telephone call .

6. EQ Button

Press the EQ button briefly to turn to equalization function and to select desired audio mode.

There are five kinds of mode as below:



Press it longer to switch the LOUDNESS function ON and OFF .

7.APS Button

Automatic Memory Function:

In Radio mode, press and hold the APS button for about 2 seconds to active automatic station storage. The radio searches within the current frequency band, e.g. FM1, for the strongest station are then allocated to the corresponding storage locations. Then the station of the first storage location is set. If you would like to search for more stations in the FM band, press the BND button(5) in order to change to the FM2 or FM3 band. Press it longer again for about 2 seconds to continue search.

Program Scan Function:

In Radio mode, press it briefly to scan and play all the preset sations in order, and it will hold at each band for about 5 seconds . If you like one of them, press the PLAY/PAUSE button to stop the scanning .

8.MUTE Button

Press this button to turn off the audio. Press again to restore the volume to the prior level. You can also disable the MUTE function by turning the VOL +/- knob.

9. ► / CH 1-6 (RADIO PRESET)

A). In Disc Playback Mode

Press this button to pause playback, press it again to resume playback.

B) In Radio Mode

you can store 30 stations in memory: 18 FM stations and 12 AM(MW) stations, each band stores up to six preset stations .

The operation as below :

-Store in Memory

- > Select the frequency band
- > Press repeatedly the button to select the desired memory key .
- > Select the station
- > Keep the desired memory key pressed in until the station is heard again after a brief interruption .

-Retrieve a preset station

press the button repeatedly to retrieve a station which had been stored in the memory in advance the chose number is shown on display .

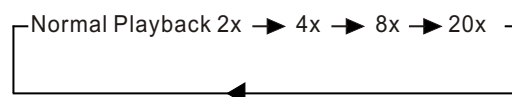
10/11 . ►► / ◀◀ Buttons

(tune, Seek, Track, Skip Up/down)

a) In DISC, USB mode:

if you wish to jump forwards or backwards press briefly the ►► or ◀◀ button. Press and hold up for more than two seconds to begin Fast Forward (or down for Fast Reverse) mode. Press the button again as needed, to cycle thru the range of available speeds.

Digital Video/VCD/CD/MP3:



b) In Radio Mode:

Press briefly the ►► or ◀◀ button to manually tune the radio in single steps. Press and hold for two seconds to start the search for a radio station automatically.

12. PAIR/↶ Button

In BT menu, press this button to use the BT function, how to use it , please refer to BT operation

13. ▲ (EJECT) Button

In DISC playing ,Press the Open button (1) to flip down the front panel, then you can press the this button to eject the disc .

14. RESET Button

RESET button is placed on the housing and must be activated with either a ballpoint pen or thin metal object. The RESET button is to be activated for the following reasons:

- A. Initial installation of the unit when all wiring is completed.
- B. All the function buttons do not operate.
- C. Error symbol on the display.

15. IR (Infrared)

Sensor for the remote control .

16. AUX INPUT JACK

For information about using an AUX IN audio source, refer to AV IN operation.

17. USB PORT

For information about connecting a USB device, refer to USB operation.

18. TFT Display (liquid crystal display)

The operation of the TFT, refer to TFT Monitor Adjustment

19. SD/MMC CARD SLOT

For information about connecting a SD card device, refer to SD/MMC Card operation.

20. MIC (Microphone position)

TFT MONITOR ADJUSTMENT

In disc playing , press the “SEL” knob on the front panel to adjust the Audio/ Video item, using the VOL+/- knob to adjust, the message will display on the screen like following below:

ADJUSTABLE ITEMS:

BASS: -7 to +7

Adjust bass level .

TREBLE: -7 to +7

Adjust treble level .

BALANCE: R 0-10 to L 0-10 .

Adjust sound balance between left and right speakers .

FADE: F 0-10 to R 0-10

Adjust sound balance between front and rear speakers .

CONTRAST: 0 to 32

Adjust the contrast of the bright and dark portion.

COLOR: 0 to 32

Adjust the color for the picture-lighter or darker.

BRIGHT: 0 to 32

Adjust if the picture is too bright or too dark.

VOLUME: 0 to 40

Adjust volume level .

TINT: 0 to 32

Adjust the tint if the human skin color is unnatural.
-Adjustable when “NTSC “ is selected for “NTSC/PAL “ .

REAR VIEW CAMERA

When connecting the rear view camera. the mirror image of the rear view through the rear view camera is automatically displayed on the monitor when you change the gear to the back position. (Note : additional the monitor can not display image .)

SETTING AUDIO MODE

In any mode , longer press “SEL” button on the front panel, the “LOUDNESS ON” will display, then repeatedly press shortly to select the other items, using the VOL+/- knob to adjust, then press the SEL to confirm the setting.

the message will display on the screen like following below:

ADJUSTABLE ITEMS:

LOUDNESS ON/OFF

ROCK

use the VOL+/- to choose the equalizer mode: USER, JAZZ, CLASSIC, POP, ROCK

SUBWOOFER ON/OFF

DX/LOCAL:in radio mode

STEREO/MONO: in radio mode

24H CLOCK FORMAT

use the VOL+/- to choose clock display in 12 or 24 hour.

SET CLOCK 06:36

Rotate VOL+/- knob clockwise to adjust the hour and anticlockwise to adjust the minute and confirm the setting by pressing the SEL knob.

USA/EUR FREQUENCY

use the VOL+/- to choose the USA or EUROPEAN frequency.

ANIMATION 10 SECONDS

use the VOL+/- to choose the animation playing time.

WALLPAPER PINK

use the VOL+/- to choose the background color.

DUB TV SYSTEM

Use VOL+/- to choose the TV standard: PAL/BG, PAL/DK, PAL/M, PAL/N, PAL/I, NTSC, SECAM/BG, SECAM/DK.

BT ON/OFF

To switch the BT function on/off.

SETTING BACKGROUND

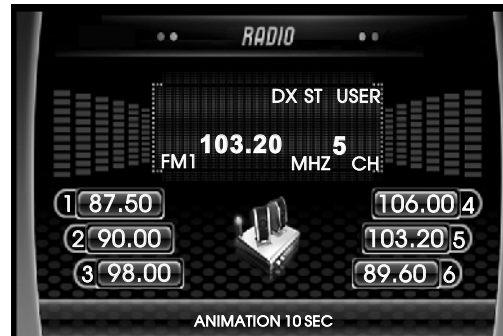
In any modes, longer (more than 2's) press "SEL" button and then repeatedly press shortly it to select the Background Color item, use the VOL+/- to change until choose your desired Background Color . E.X: In RADIO mode :



In wallpaper mode, you can select the among of "AUTO, GREEN, YELLOW, RED, LIGHT BLUE, BLUE, PINK". When you select the "AUTO" item, the player will change the background automatically.

ANIMATION

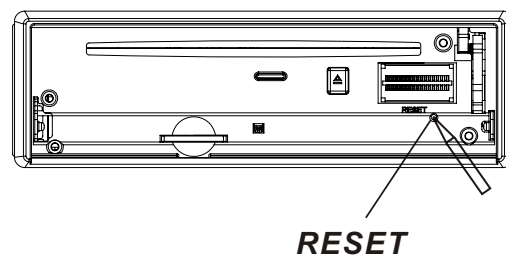
Only in the **RADIO** mode, Longer (more than 2's) press the SEL button and then shortly press it to select the Animation item, then you can use the VOL+/- knob to change the playing time of animation among "OFF, 10S, 30S, 1M, 1.5M, 2M, 3M and 4M".

**Note:**

Please set the playing time of the animation to "10S" for the first, when you turn the unit on.

Reset Factory Settings

RESET button is placed on the housing and must be activated with either a ballpoint pen or thin metal object.



The RESET button is to be activated for the following reasons:

- Initial installation of the unit when all wiring is completed.
- All the function buttons do not operate.
- Error symbol on the display.

RADIO OPERATION

Listening to radio

Press the MODE button to select the RADIO mode, the message will like following below :



Selecting The Frequency Band

Repeatedly press the BAND button on the front panel to select the band, the message will show in turn :



Start Searching For a Station

Manual Search

During Radio mode, briefly press the ►► button on the front panel to increase frequency by one step of channel spacing . (Or you can press ▲ button on the remote control)

During Radio mode, briefly press the ◀◀ button on the front panel to decrease frequency by one step of channel spacing . (Or you can press ▼ button on the remote control)

Automatic Search

During Radio mode, press and hold (for more than 2's) the "►►/◀◀" button to start search for a radio station automatically .

You can use the "▲ / ▼" buttons on the remote control to start search for a radio station automatically .

When an FM stereo broadcast is hard to receive

Press **ST/MO** button on the remote control to select the MONO or STEREO mode . (When Stereo mode is activated, the ST symbol will appear .)

To tune in strong-signal FM Station only (LO/DX function)

Press the LOC/DX button on the remote control to choose between the LOC and DX mode of Local and Long-distance traffic news . The word "LOC" or "DX" will display in the screen .

Storing and listening to a memory station

Setting Memory



With this system, a total of 30 stations can be stored in the memory of six buttons. Each band stores up to six preset stations. The stations might be FM1, FM2, FM3, AM1(MW1), and AM2(MW2) band.

The operation is as below :

- Store in Memory

- >Select the frequency band
- >Select the station
- >Keep the desired memory key pressed in until the station is heard again after a brief interruption .

- Retrieve a preset station

press the **1-6** buttons briefly on the remote control to retrieve a station which had been stored in the memory in advance the chose number is shown on display .

Automatic Memory Storing & Program Scanning**Automatic Preset Setup**

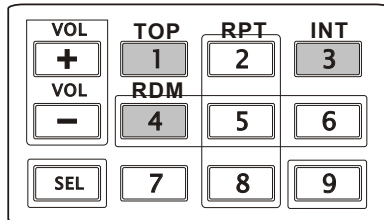
In Radio Mode, press and keep (for more than 2 ' S) the remote of "**APS**" button to active automatic station storage. The radio searches within the current frequency band, e.g. FM1, for the stronger signal level until the search cycle has finished . The six strongest stations are then allocated to the corresponding storage locations . Then the station of the first storage location is set .

Scan Function

In Radio mode, briefly press the "**APS**" button on the remote control , the radio briefly plays all the preset stations of the frequency band .

SELECTING PLAY MODE

During the Disc playback, press the "RPT, RDM, INT" button on the remote control to select the different playing mode .



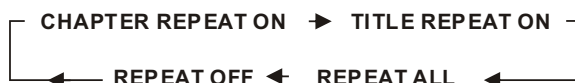
1). TOP FUNCTION

For Digital Video/ VCD/CD/MP3:
In the state of Digital Video/VCD/CD/MP3 disc playing, press the button to select the first track/chapter to play. (depend on the disc used for VCD)

2). REPEAT FUNCTION

FOR Digital Video :

Longer press the **2/RPT** button on the remote control to select REPEAT mode as follows :



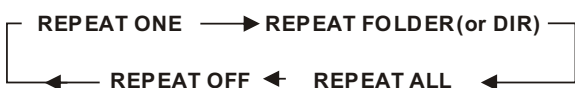
FOR VCD/CD :

Longer press the **2/RPT** button on the remote control to select REPEAT mode as follows :



FOR MP3 :

Longer press the **2/RPT** button on the remote control to select REPEAT mode as follows :



3). INTRO FUNCTION

FOR CD :

longer press the **3/INT** button on the remote control to play the previous 10 seconds part of each track/chapter on disc.

(Longer press again to cancel this mode)

FOR VCD :

longer press the **3/INT** button on the remote control, It display will following menu as below :



Note: when select **INTRO 1** Mode, this player to start to play the previous 10 seconds part of each track/chapter on disc. (Longer press it again to cancel this mode .)

FOR Digital Video/MP3 :

For Digital Video/MP3 , longer press the INT button is not available .

4). RDM (RANDOM) FUNCTION

During DISC playback, longer press the **4/RDM** button on the remote control to play in random. Each playing, the order is different .

(Depend on the disc used for VCD).
Longer press it again to cancel this function .

ON-SCREEN DISPLAY FUNCTION

During playback, press the OSD button on the remote control . It will display the following as bellow :

1. Digital Video:

A. Press **OSD** for first time:

Digital Video TT 01/01CH 04/31 C 0:02:06

Title Number, Total Title Number, Chapter Number, Total Chapter Number of this Title of the disc currently being played will be shown on the screen, along with the elapsed time.

B. Press **OSD** for second time:

⏮ ½ ENG 2CH OFF AN OFF

The underlined part is different from the used discs.

C. Press **OSD** for third time:

Digital Video TT 01/01CH 04/31 C -0:01:32

D. Press **OSD** for fourth time:

Digital Video TT 01/01CH 04/31 T 0:16:00

E. Press **OSD** for fifth time:

Digital Video TT 01/01CH 04/31 T -1:36:55

F. Press **OSD** for sixth time:

The message on the screen will be cleared.

2.Example for VCD/SVCD/CD:

A. Press **OSD** for first time:

VCD TRK 1/19 ◀ PBC ↺ C 0:01:36

B. Press **OSD** for second time:

VCD TRK 1/19 ◀ PBC ↺ C -0:06:06

C. Press **OSD** for third time:

VCD TRK 1/19 ◀ PBC ↺ T 0:02:12

D. Press **OSD** for fourth time:

VCD TRK 1/19 ◀ PBC ↺ T -1:23:06

E. Press **OSD** for the fifth time:

The message on the screen will be cleared for SVCD and VCD.

NOTE:

For CD(audio) Disc, press OSD button is not available .

3. Example for MP3

A. Press **OSD** for first time:

CDrom TRK 2/76 ◀ ↺ C 0:00:36

B. Press **OSD** for second time:

CDrom TRK 2/76 ◀ ↺ C -0:03:38

C. Press **OSD** for third time:

The message on the screen will be cleared.

Digital Video Special Function

1. Multi-subtitle Language Function (for Digital Video Only)

During Digital Video playback, press the **SUBTITLE** on the remote control .

Each time the button is pressed number of the subtitle language changes in sequential order.

Notes:

- The language number is different according to the disc.
- Some discs only contain one subtitle language.
- When no different subtitle language are recorded, " **INVALID KEY** " will be displayed at screen left top corner.

2. Multi-Audio Language Function

For Digital Video:

During Digital Video playback, press the **AUDIO** on the remote

Each time the button is pressed number changes on sequential order.

Notes:

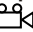
- The language number is different according to the disc.
- Some disc only contain one language soundtrack
- When no different language soundtrack are recorded " **INVALID KEY** " will be display at screen left top corner.

For VCD/CD:

during playback, Press **AUDIO** on the remote control . It is possible to switch the sound between monaural and stereo sound.



3. Multi-Angle Function (for Digital Video Only)

During Digital Video playback, press the **ANGLE** () button on the remote control

Each time the button is pressed , the number of the angle changes in sequential order.

Notes:

- The angle number is different according to the disc.
- The function only work for disc having scenes recorded at different angles.
- When no different angle are recorded, " **INVALID KEY** " will be displayed at screen left top corner.

4. Title Menu Function

For Digital Video:

If the Digital Video has multiple titles recorded on the disc. It can select preferred title from the title menu to start playback.

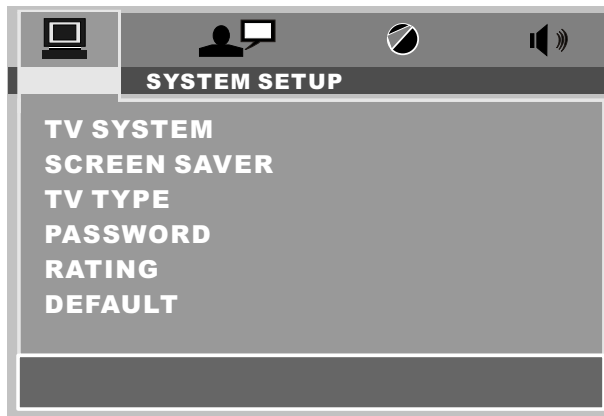
- During Digital Video playback, press **TITLE** button on the remote .The title menu is display.
- Select preferred title by the cursor button and confirmed by press the **ENTER** button .

For VCD:

Press **TITLE/PBC** button on the remote control while the disc is playing, you can switch between "PBC ON"and "PBC off" mode.

MEDIA SETUP MENU

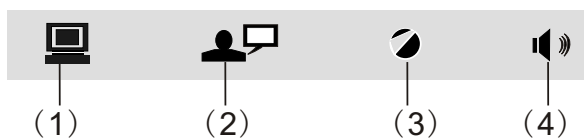
USING THE MENU



Press **SETUP** button on the remote control to display the SETUP menu, Select the preferred item by using the ► / ◀ / ▼ / ▲ buttons, and press the ENTER button to confirm.

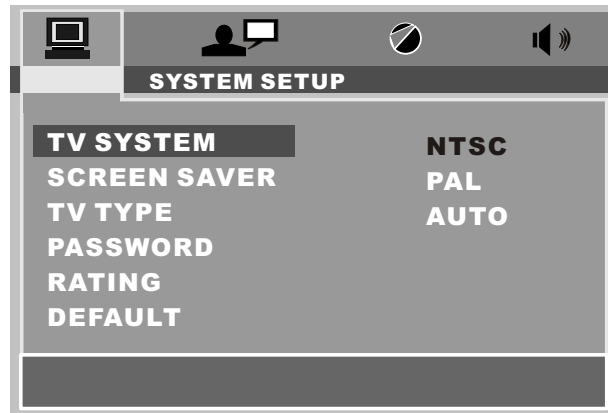
When you press SETUP on the remote control, the SETUP screen will be displayed. At the top of the screen are four icons, representing:

Overview Of The Main Menu



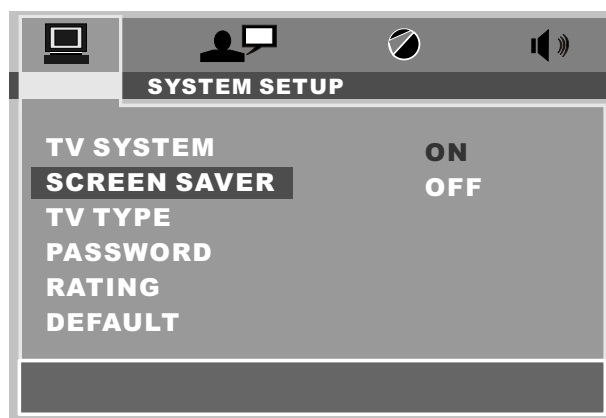
- (1). System Settings
- (2). Language Settings
- (3). Video Settings
- (4). Digital Settings

SYSTEM SETUP



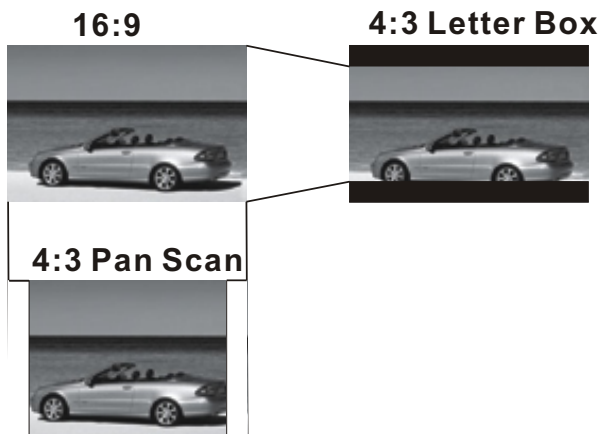
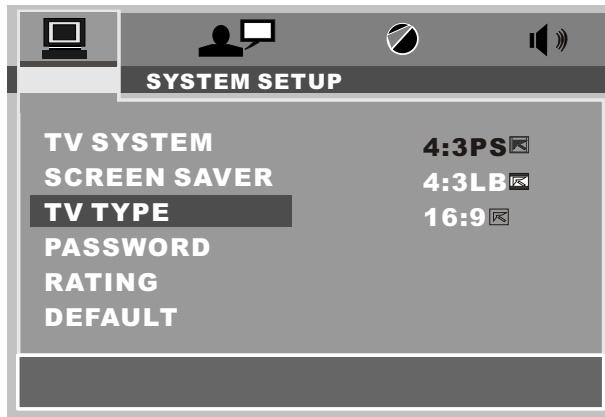
TV TYPE SETUP

This player is capable of playing discs recorded in either PAL or NTSC formats. Make the selection based on whether you are connecting the unit to a PAL TV or an NTSC TV. You can also set the unit to AUTO (autoselect). The disadvantage to autoselect is that each time you turn the unit on it checks to see what kind of monitor is connected, which causes a small delay and some flickering of the display image which you may find unpleasant.



SCREEN SAVER SETUP

If the screen displays a static image for too long, some "burn-in" may occur, leaving a permanent trace of the image behind. To avoid this, turn ON the SCREENSAVER item. After a short period of inactivity on the monitor, the unit will substitute a moving image to avoid burn-in.



TV DISPLAY SETUP

This is to select the appropriate TV aspect (4:3 or 16:9) according to the connected TV set.

Normal/PS (For 4:3 TV)

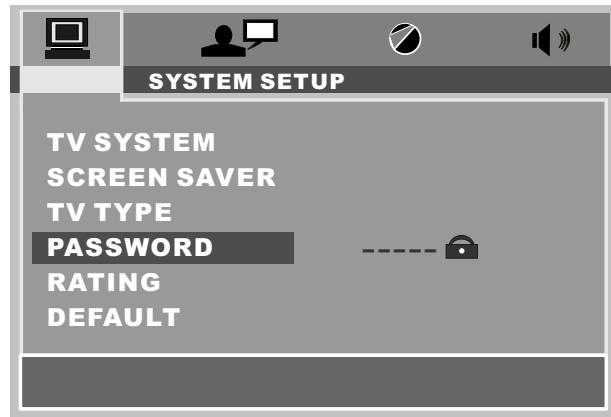
Played back in the PAN & SCAN style. (If connected to wide-screen TV, the left and right edges are cut off.)

Normal/LB (For 4:3 TV)

Played back in LETTER BOX style. (If connected to wide-screen TV, black bands appear at top and bottom of the screen.)

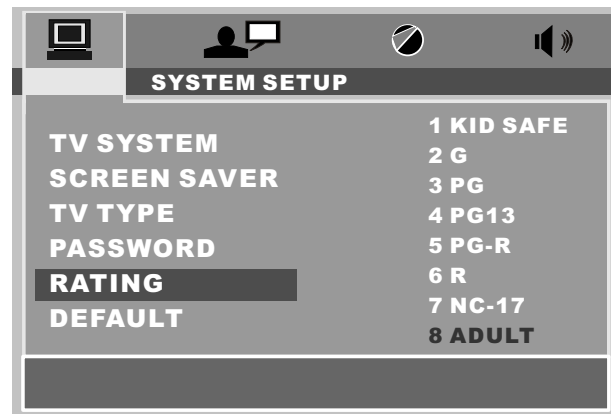
Wide (For 16:9 TV)

Select when a wide-screen TV set is connected.



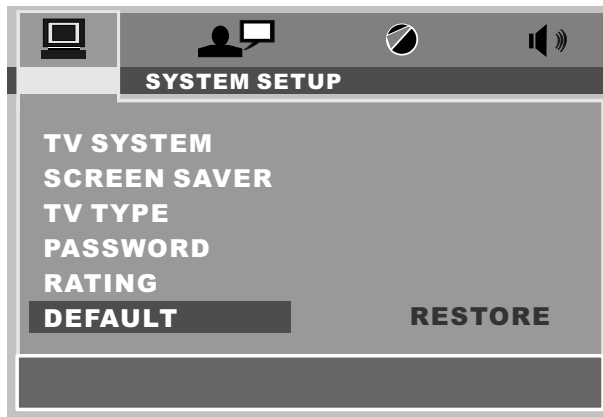
PASSWORD SELECTION

The password must be used to make changes to the Parental Control menu below. The factory default password is **0000**. You will be asked for the current password. Key in "0000" and then press "ENTER" on remote control to confirm. you have the opportunity to change it and enter your new password. Then when you enter the Parental Control menu, you can make any changes.



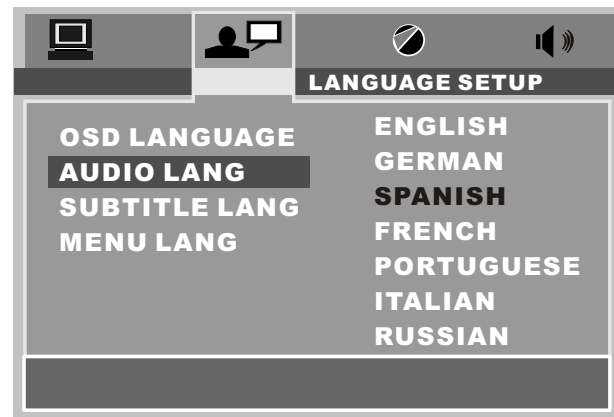
RATING

Select suitable parental guidance with the cursor buttons and confirm it by pressing the ENTER button.



DEFAULTS

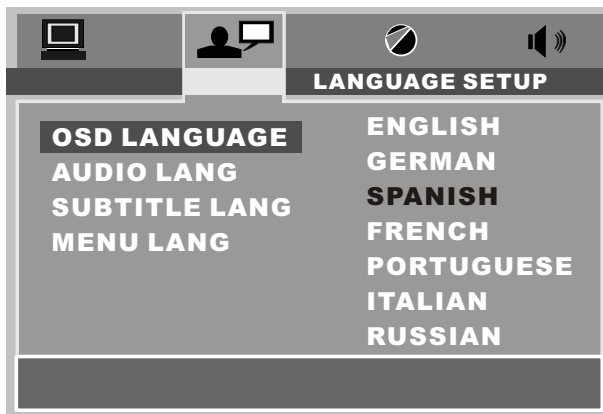
Selecting the **DEFAULT** item and confirming **RESTORE** will return ALL personal settings you have made, including radio and TV presets, to the factory default settings.



AUDIO LANGUAGE SETUP

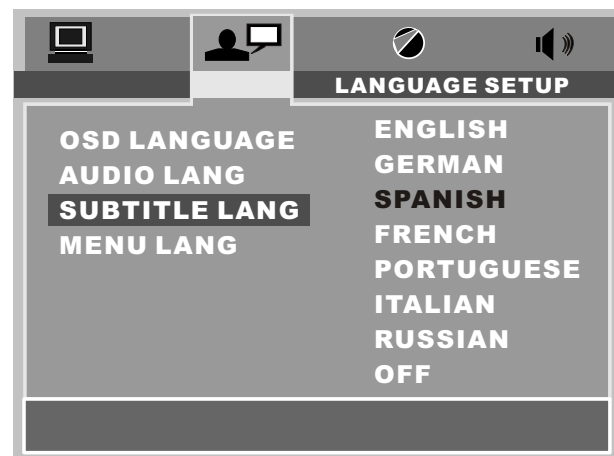
Select the preferred **AUDIO** soundtrack language by using the cursor buttons.

LANGUAGE SETUP



OSD LANG TYPE SETUP

Select the preferred **OSD** language by using the cursor buttons.



SUBTITLE LANGUAGE SETUP

Select the preferred **Subtitle** language by using the cursor buttons.

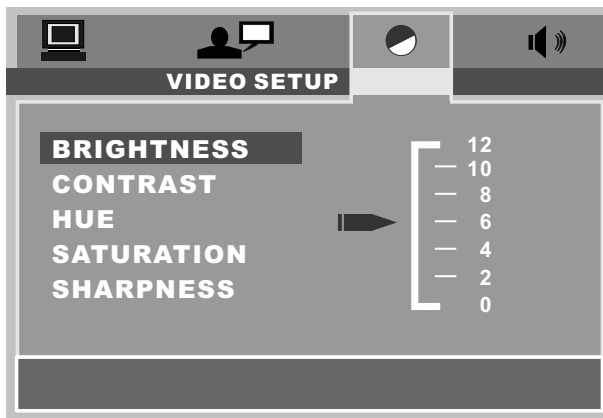


DISC MENU LANGUAGE SETUP

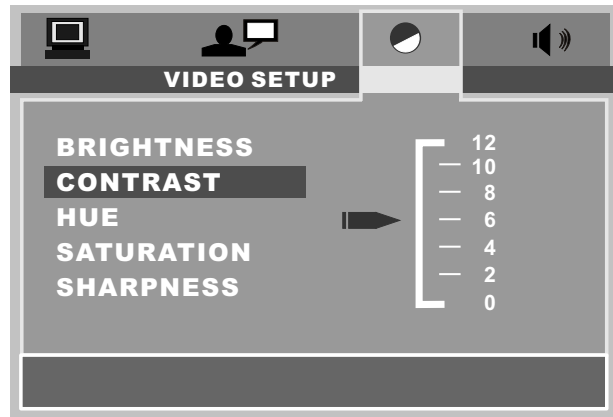
Select the preferred DISC MENU language by touching directly the desired language .

VIDEO SETUP

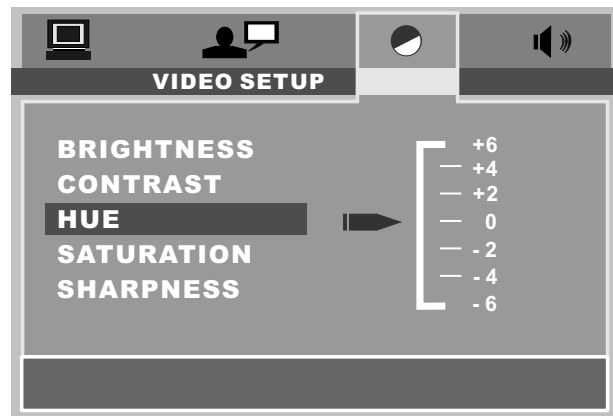
these settings allow you to set the video signal brightness, contrast, hue, and saturation .



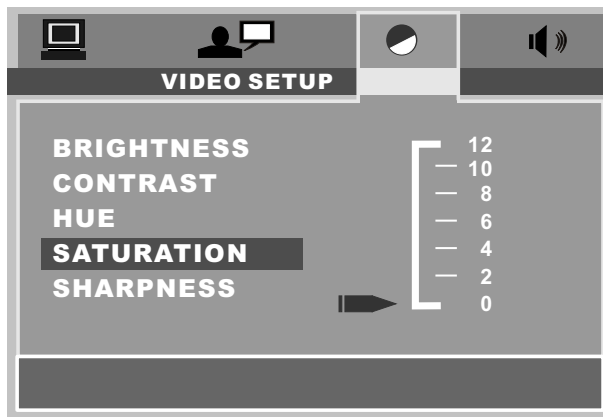
BRIGHTNESS- the brightness of the video signal (how light the picture is) .



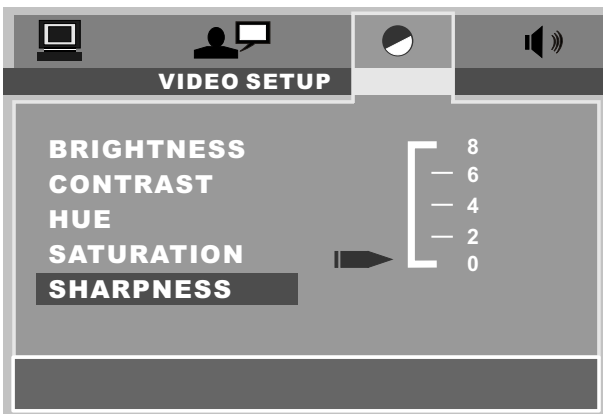
CONTRAST- the contrast of the video signal (the dark portions of pictures).



HUE- the hue of the video signal (the color of the pictures) .

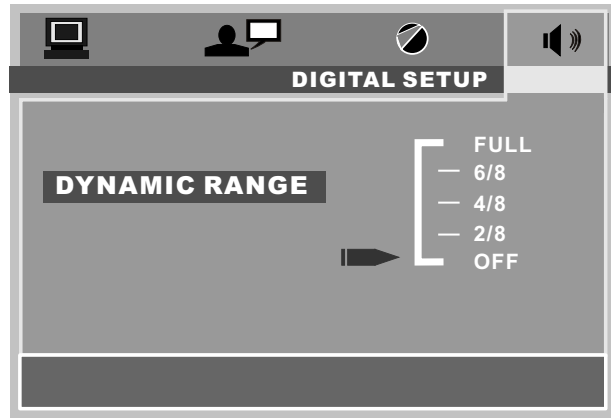


SATURATION- the saturation of the video signal (the vividness of the color) all above can be adjusted to your tasters .



SHARPNESS- the sharpness of the video signal (the image setting acumination) .

DIGITAL SETUP



DYNAMIC RANGE CONTROL

Select DRC and adjust the dynamic range of a Dolby Digital encoded program. There are 8 steps between full compression and off compression.

BT OPERATION

1. "PAIR" To Your BT Phone

Prior to using BC_HF_V03 for the first time, you must pair it with a BT-enabled mobile handset.

The following steps describes pairing the instruction for a typical BT enabled mobile handset.

1). Place BC_HF_V03 and mobile handset in 3 meters apart.

2). Put BC_HF_V03 in pairing mode.

Press the POWER button to turn ON, the BT ICON will flash on the TFT . Press and hold the "PAIR/ ↻" button until the word "**PAIRING NOW**" display, it's now ready for pairing. (If you want not to pair, please press it longer again.)

3). Set your BT phone to "discover" BC_HF_V03 .

Following your phone's instruction guide for details, active your mobile handset's BT function, the handset will search for accessible BT devices.

4). Your phone will find BC_HF_V03 . Select BC_HF_V03 from the list.

5). Enter passkey "8888", then press "OK" to pair BC_HF_V03 and the handset, the word "PAIR OK, PLEASE CONNECT" will display in the TFT .

6). Select the "CONNECT" from the list on the phone, if you connect successfully , the BT ICON remains solid on the screen , then you can operate the function of BT about the unit .

Important:

- a. If the pairing can not be completed within approximately 2 minutes , while the pairing mode is activated, and you will need to reattempt pairing (See steps 2-5 above) .
- b. After pairing is completed, if the BT ICON is stilling flash on the TFT ,

P-27

please follow the steps to to reattempt pairing through your handset until the BT ICON remains solid on the screen.

2. Using The BT BC_HF_V03

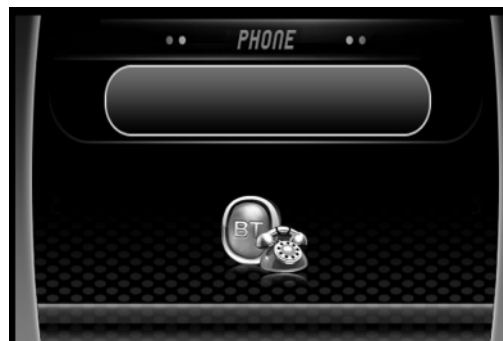
Once connecting is complete, you may access the following function. Some of the below mentioned functions only accessible for handset supported with hands-free profile.

Answer a call

After you hear the ring tone (the incoming telephone number will display on the TFT LCD), press the "↻" button briefly on the front panel to listen . (During talking, if you want to use your phone to listen, please press this button again .)

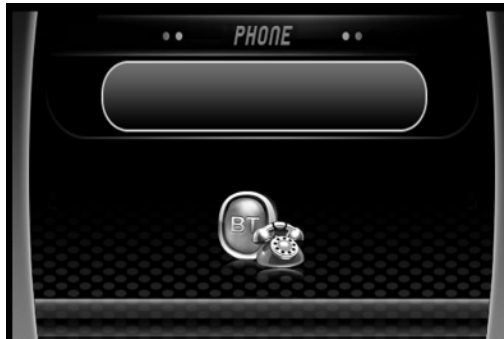
Make a call

Press and hold the "↻" button on the front panel or remote control, the word "DIAL NUMBER" will display on the TFT, then you dial the number on the remote control and then press briefly the "↻" button . When you dials the wrong number, press "◀" button to delete it.



Redial last number


When displaying BT phone interface, press and hold the "↻" button (approximately 2 seconds) on the remote control to dial out the last dialed phone number.



Adjust the Volume

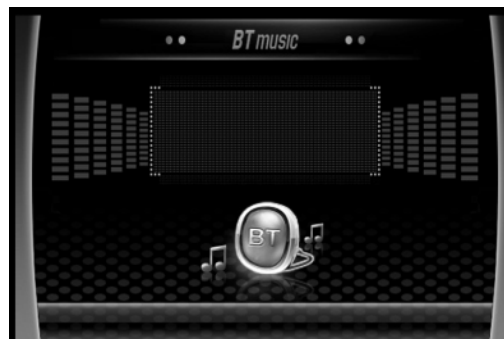
During conversation in progress, tune the Volume switch until you reach the desired volume level.

End/Reject a call

In BT phone menu, press the “” button briefly on the remote control, the screen will display “CALL HOOKED / CALL EJECTED”.

Play MP3 music

In BT MUSIC menu, you can play the MP3 from your mobile handset.



(Please Note: please make sure it support BT **A2DP & AVRCP** profile.)

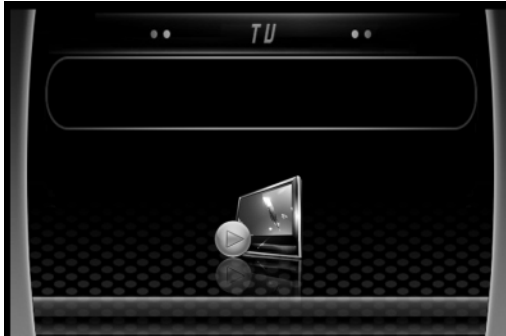
Note:

- a). Before using the function of the BT about the unit, please check your phone's instruction guide or contact phone manufacture if you are not sure if your phone supports the hands-free BT function.
- b). When operating the function of BT about the unit, you need make your call-phone and the unit successfully for one time. Afterwards, you only need to take on the power and the function of BT will work in three minutes automatically if you want to operate the function of BT.
- c). If you want not to use the function of the BT about the unit, you can long press the SEL button and rotate the VOL knob to set the BT OFF.

TV OPERATION

Switching to TV mode

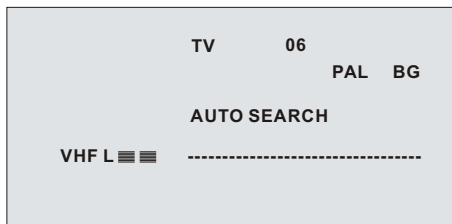
1. Connect the TV antenna to the TV.IN (from Ant) jack on the back of the unit.
2. In any mode, press the MODE to enter the TV mode . (Or press the MOD button on the remote control.)
The message will display as below:



Auto searching TV channels

press the SEARCH button on the remote control to search all available channels automatically .

It will display as follows:



Selecting channel

press the CH+ button on the remote control to choose the channel upward .

press the CH- button on the remote control to choose the channel downward .

- The numeric button (0-9) on the remote control allow you to select the corresponding channel directly.

Note:

In TV mode, the 10+ button is not available.

Add/Skip Available Channels for the CH+ and CH- Buttons

In TV mode , after searching channels automatically, the CH+ and CH- buttons on the remote control can select only the channels with available signal.

1) Add Available Channel s

Use the number buttons to select a channel without available signal, then press the SKIP button on the remote control, the screen will display SAVE, the channel will be available for the CH+ and CH- buttons.

2) Skip Available Channel s

Use the CH+ or CH- button on the remote control to select a channel you want to skip for the CH+ and CH- buttons, then press the SKIP button on the remote control, the screen will display SKIP, the channel will be skipped for the CH+ and CH- buttons.

Fine Tuning

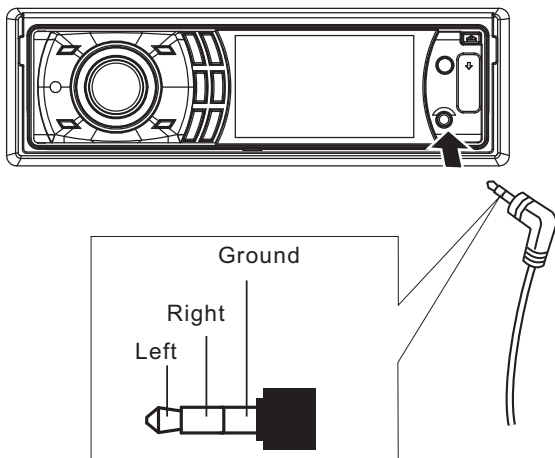
press FINE+/FINE- button on the remote control to fine tune the current channel .

AV IN OPERATION

On the front panel of this unit, there is an AUX IN jack, follow the diagram below to connect analogue replay devices (only for the Audio connect, if you want to connect the Video, please plug the RCA <Video input> on the back of the unit). Use this jack to replay sound of other replay equipment such as Digital Video players, computers, etc. Via the loudspeakers.

1). Please connect the external device with stereo jack plug the Aux in socket.

AUX IN JACK FRONT PANEL



2). In any mode, press the "MODE" to choose the AV IN mode, the message will like following as below :

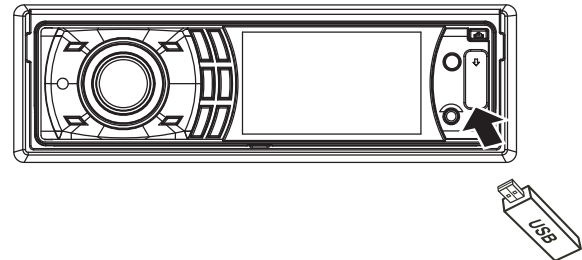


3). You now hear the sound from the external device played back through the loudspeakers.

4). use the VOL+/- on the front panel to adjust the volume level.

USB OPERATION

First remove the dust protection cap, then following the diagram below, connect your device to the USB port of the unit. If it is properly connected, the device will be mounted and start playing automatically. (All operations are as same as Digital Video mode.)



In USB Playback mode

You can use the UP, DOWN, RIGHT or LEFT buttons to navigate and to select files to play, and press ENTER to begin playback (or viewing, in the case of JPEG files).

To skip to the next or last track, press the ►► or ◀◀. Press the ►► or ◀◀ buttons for Fast Forward or Fast Reverse playback.

REPEAT play modes are also available by repeatedly pushing **REPEAT** until the desired mode is found.

Important Note:

1. During the USB playback, you can press the MODE button to select other mode to play.
2. During the DISC playback, if you want to play the USB, please first remove USB and then connect it again to start (when the Disc and USB in this player).
3. When the DISC and USB in this player, they can not to transfer.

Note : The supported max. memory size of USB:32GB.

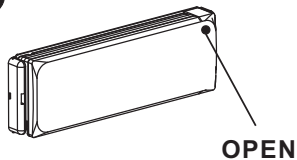
SD/MMC card OPERATION

The unit can support playback MP3/WMA/JPEG/MP4 format which are stored into SD and MMC memory card .

The supported max. memory size of card: SD-16GB; MMC-2GB.

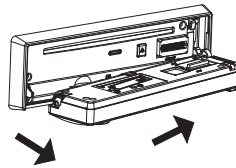
INSERTING THE SD OR MMC CARD .

1



Press the open button to flip down panel .

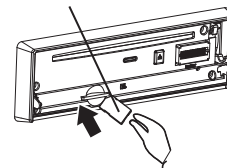
2



First to slide the panel a little to the right, then pull it off towards you.

3

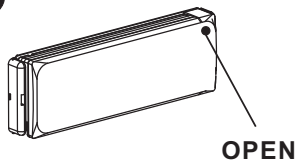
Label side facing upward



Insert the memory card. Press in till heard a "CLICK". Attached the panel to play.

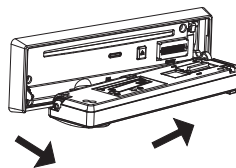
REMOVING THE SD OR MMC CARD .

1



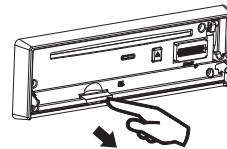
Press the open button to flip down panel .

2



First to slide the panel a little to the right, then pull it off towards you.

3



Press in till heard a "CLICK". Remove the SD card and attached the panel to play.

Mode change to SD/MMC card

After a SD or MMC card was inserted into the main unit card slot . the unit will starts playing the files contained on the memory card . Once the unit read the memory card successfully, the first file on the memory card will automatically start playback. Press the MODE button repeatedly is allowing changing to other modes .

Change DISC to SD/MMC card

The operations are same as USB mode, refer to see USB operation .

Change SD/MMC card to DISC

The operations are same as USB mode, refer to see USB operation .

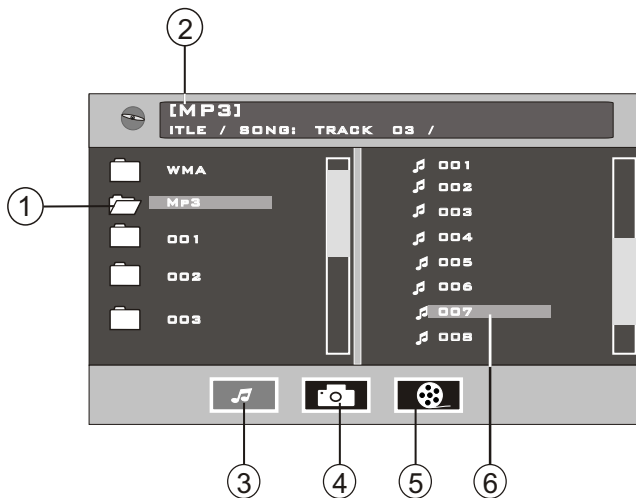
File Playback Operation

All the SD or MMC memory car playback operation function is same as the operation on **CD/MP3/WMA** .

Please to "**MP3/WMA**" operation for more details .

MP3/WMA/JPEG/MPEG4 PLAY

The unit is support MP3/WMA/JPEG/MPEG4 . When a disc is inserted into player, the following picture will appear on the monitor . The unit will play the first track automatically . You can to choose others mode (MP3/JPEG /MPEG4) to play . EX. : when the MP3 mode is selected .



- 1 Current type (highlighted bar) .
- 2 Current track (ID3 TAG display) .
- 3 The current play mode(MP3).
- 4 Select the play mode(JPEG).
- 5 Select the play mode(MPEG4).
- 6 Current song in MP3 folder .

In stop mode, Use **▲ / ▼ / ► / ◀** on the remote control to select the play mode or item, then press **ENTER** button on the remote control to confirm.

SKIP AHEAD / BACK

In playback mode, press the **►►** or **◀◀** button on front panel to skip ahead or back one item in the list . (Or press the **►►** or **◀◀** button on the remote control .)

Fast Forward/ Fast Reverse Playback

In playback mode, press and hold (for a more than two seconds) the **►►** or **◀◀** on front panel to move to FAST FORWARD or FAST REVERSE play . You can also briefly press the **►►** or **◀◀** button on remote control to accomplish this .

REPEAT FUNCTION

Pressing **REPEAT** button repeatedly can select repeat play mode.

REP-ONE:

Play the same song over and over again.

REP ALL:

Play all songs on the disc, then repeats the entire disc over and over again .

NOTE:

in JPEG/MPEG4 mode, the details operations as same as MP3/WMA operation .

SPECIFICATION

Supply Voltage:	12V DC (11V-15V)	
Current Consumption:	Less than 15 A	
Output Power:	4 x 25 W	
Signal System:	Compositive video 1.0Vp-p 75 Ω	
Discs Played:	(1)Digital Video Disc 5"(12 cm) single-sided, single-layer 5"(12 cm) single-sided, double-layer (2)Compact Disc (CD-DA, VIDEO CD) 5"(12cm) disc	
Audio Signal Output:	2ch&4ch line out	
Characteristics:	(1)Frequency Response	20 Hz - 20 KHz
	(2)S/N Ratio	90 dB (JIS)
	(3)Wow and Flutter	Below measurable limits

RADIO Section :

	For 2 Bands (Europe)	For 2 Bands (U.S.A.)
	FM	FM
Frequency Coverage:	87.5 to108 MHz	87.5 to107.9 MHz
IF:	10.7 MHz	10.7 MHz
Sensitivity (S/N = 30 dB):	15 dBu	15dBu
	MW	AM
Frequency Coverage:	522 to1620 KHz	530 to1710 KHz
IF:	450 KHz	450 KHz
Sensitivity (S/N = 20 dB):	40 dBu	40 dBu

TFT Section :

Monitor Screen Size:	3 Inch Wide
Color System:	NTSC/PAL

TV SECTION :

TV System:	NTSC/PAL/SECAM
TV Sensitivity:	45dB μ V@CH25 in average

BT :

BT specification:	V1.2 Class 2
BT profile supported:	Headset, Handsfree and A2DP & AVRCP profiles
Range of frequency:	2.4GHz Spectrum

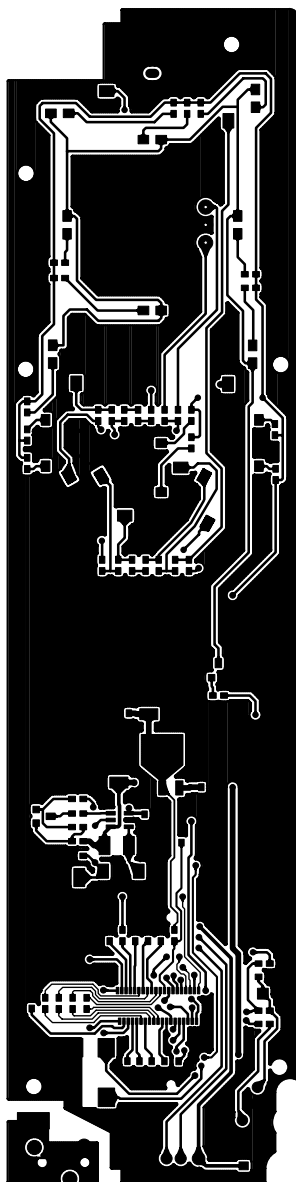
NOTE:

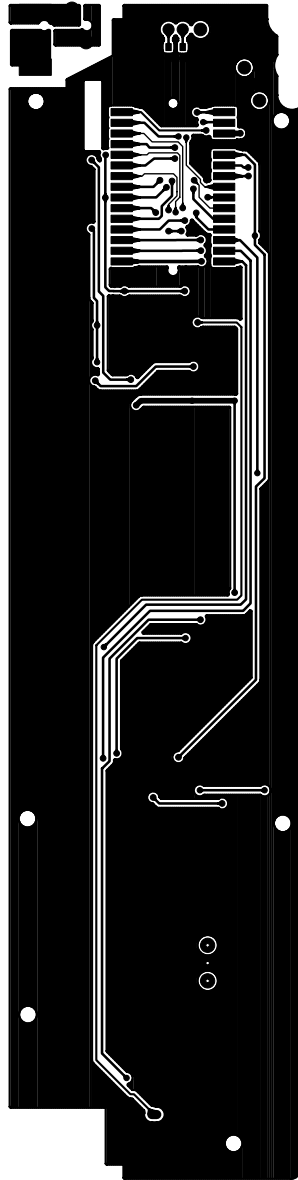
Specification and design are subject to modification, without notice, due to improvements in technology.

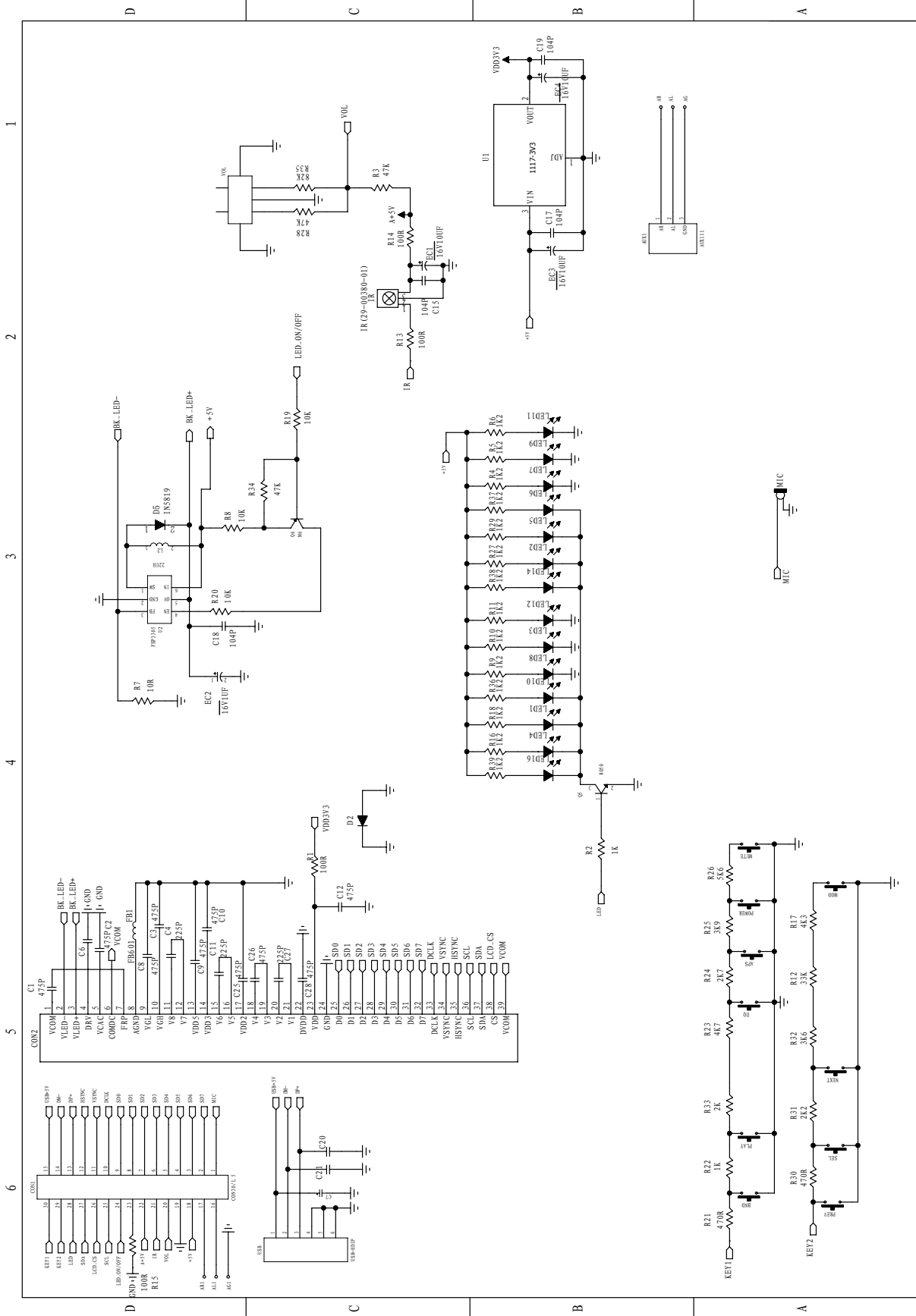
TROUBLE SHOOTING

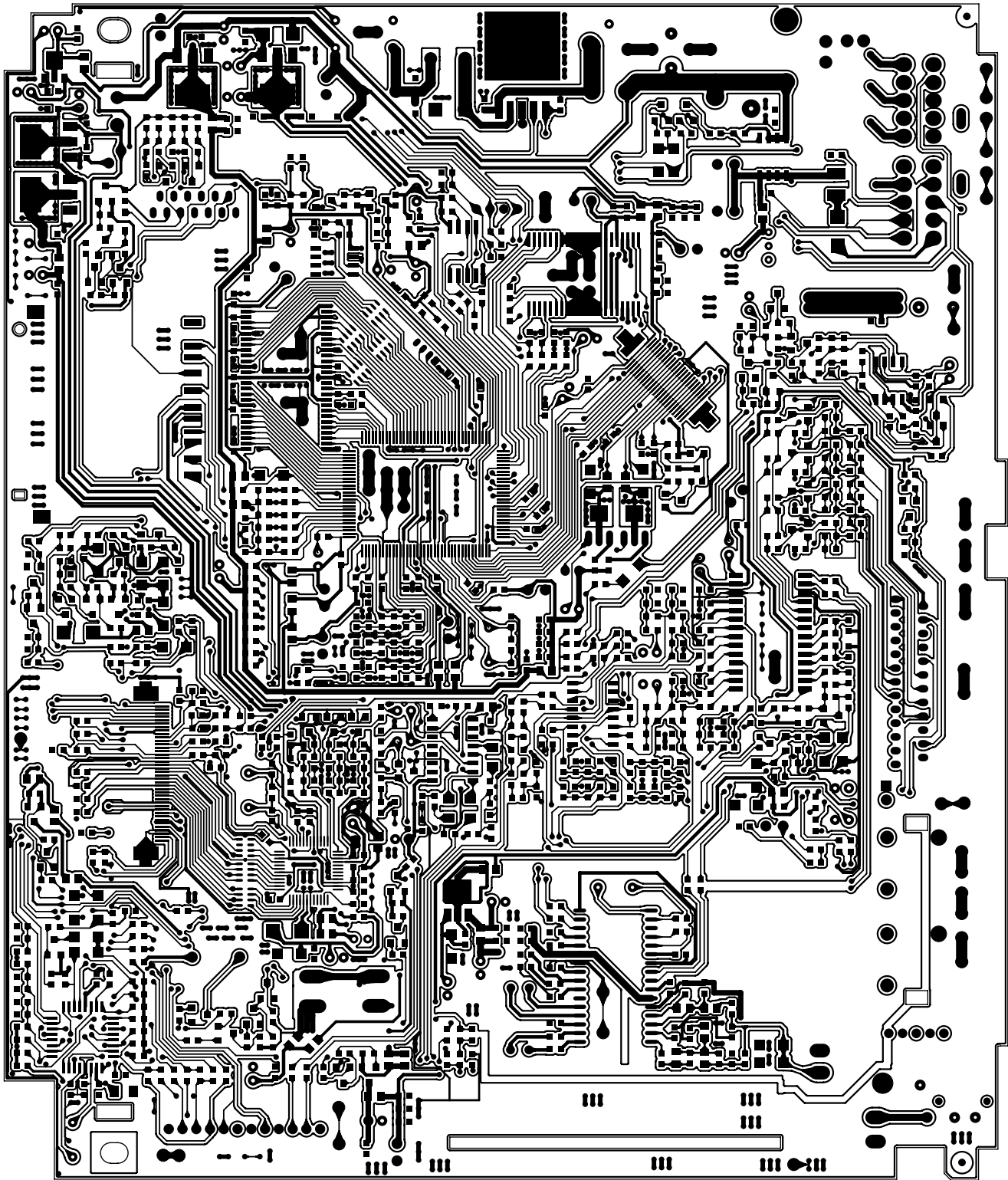
Before going through the check list, check wiring connection. If any of the problems persist after check list has been made, consult your nearest service dealer.

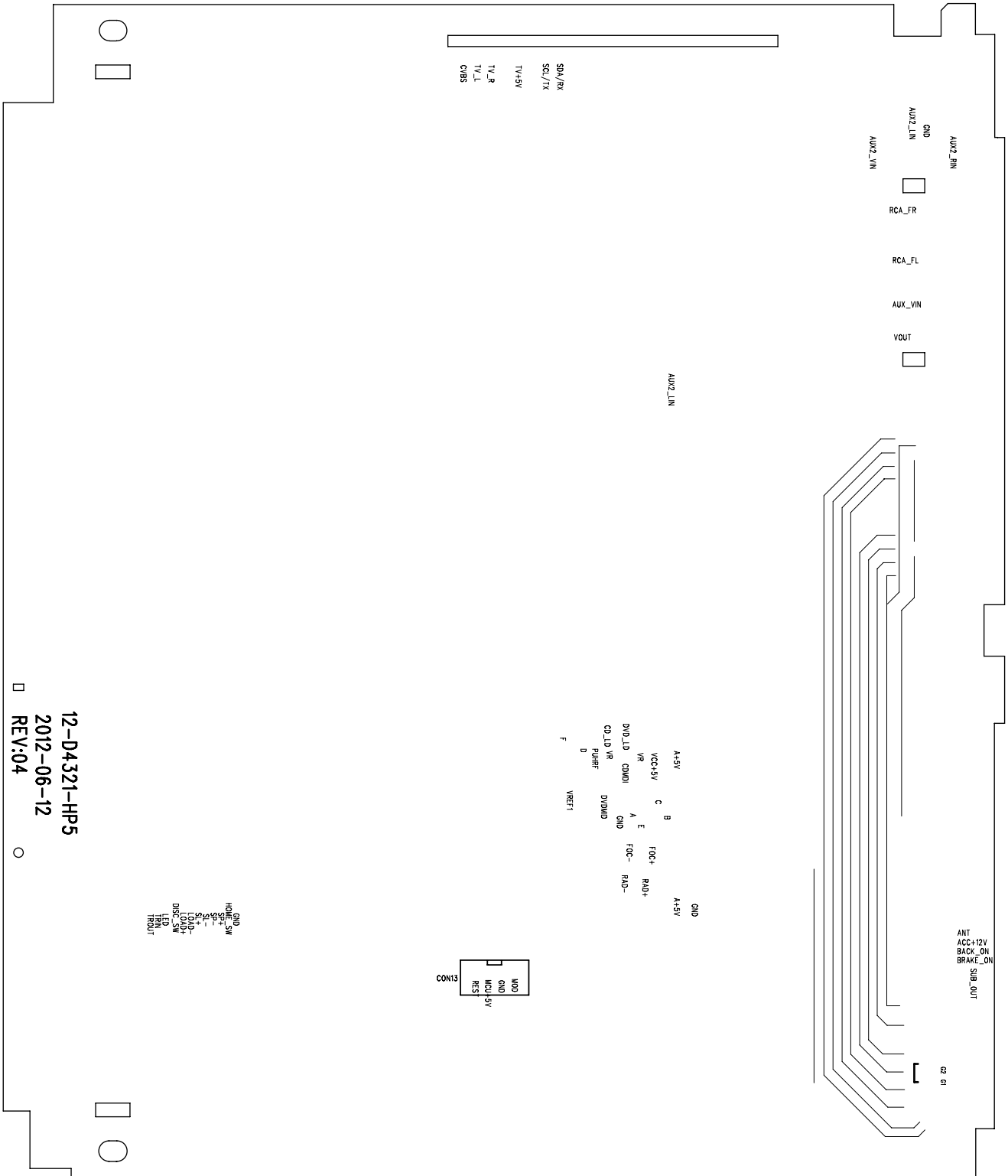
SYMPTOM	CAUSE	SOLUTION
No power	The car ignition switch is not on	If the power supply is properly connected to the car accessory terminal, switch the ignition key to "ACC"
	The fuse is blown	Replace the fuse
Disc can not be loaded or ejected	Presence of disc inside the player.	Remove the disc in the player, then put a new one
	Inserting the disc in reverse direction	Insert the compact disc with the label facing upward
	The disc is extremely dirty or defective	Clean the disc or try to play a new one
	Temperature inside the car is too high	Cool off or until the ambient temperature return to normal
Video/image appears black-white	The color system is set incorrectly	Please switch to correct color system from menu
No video/image appears	The unit is not connected to the parking brake detection switch	Make proper connection according to "wire connection"
	The parking brake is not engaged	For safety reasons no video/images are displayed while the vehicle is moving. Engaging the parking brake will cause images to be displayed.
No color in picture	The disc format is not according to the TV-set used (PAL/NTSC)	Please the color system of the choice accommodation
JPEG disc can not be played back	No JPEG files are recorded on the disc.	Change the disc
	JPEG files are not recorded in a compliant format	Change the disc Record JPEG files using a compliant application
The operation keys do not work	The built-in microcomputer is not operating properly due to noise	Press the RESET button. Front panel is not properly fixed into its place
The radio does not work	The antenna cable is not connected	Insert the antenna cable firmly
	The signals are too weak	Select a station manually



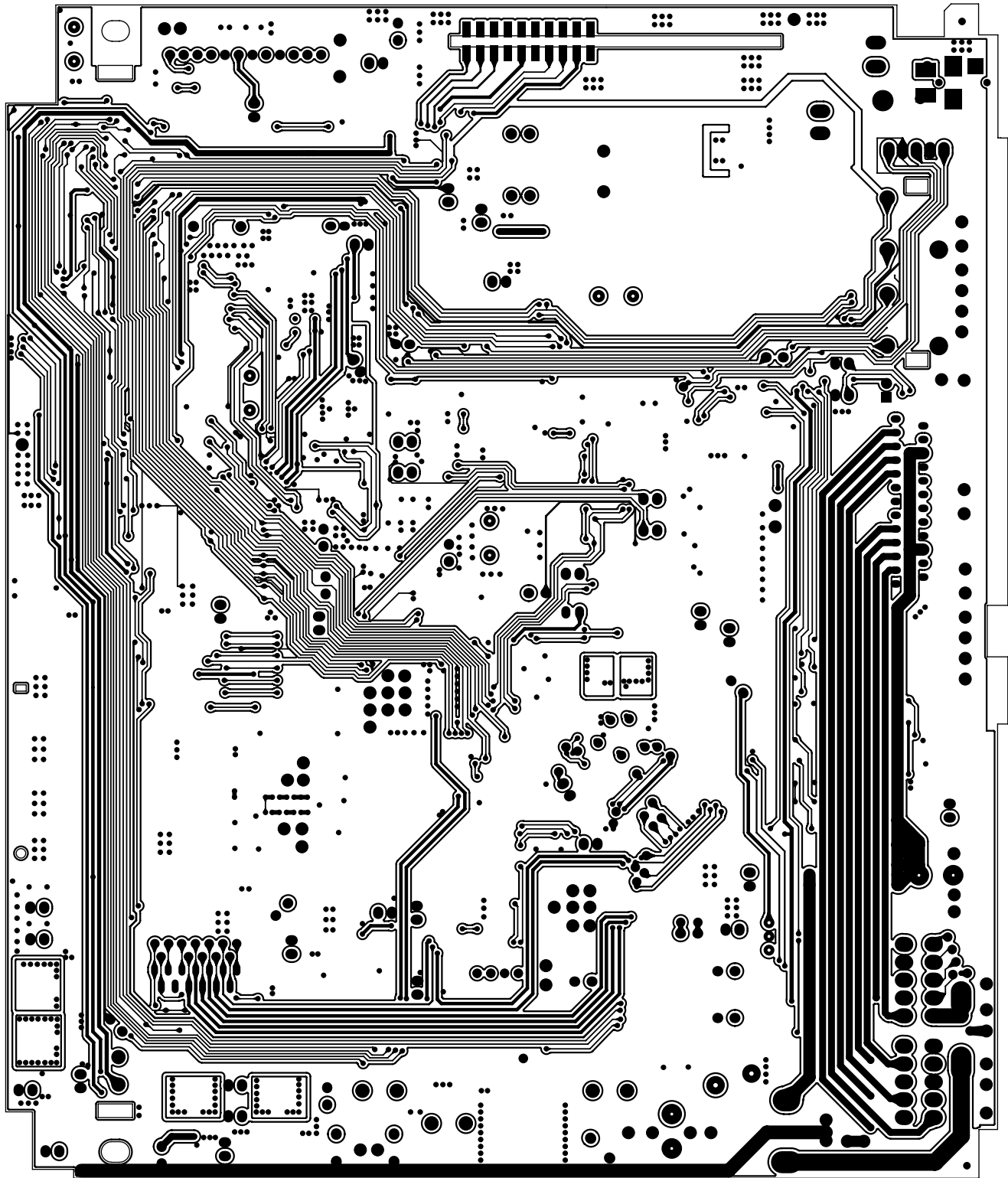


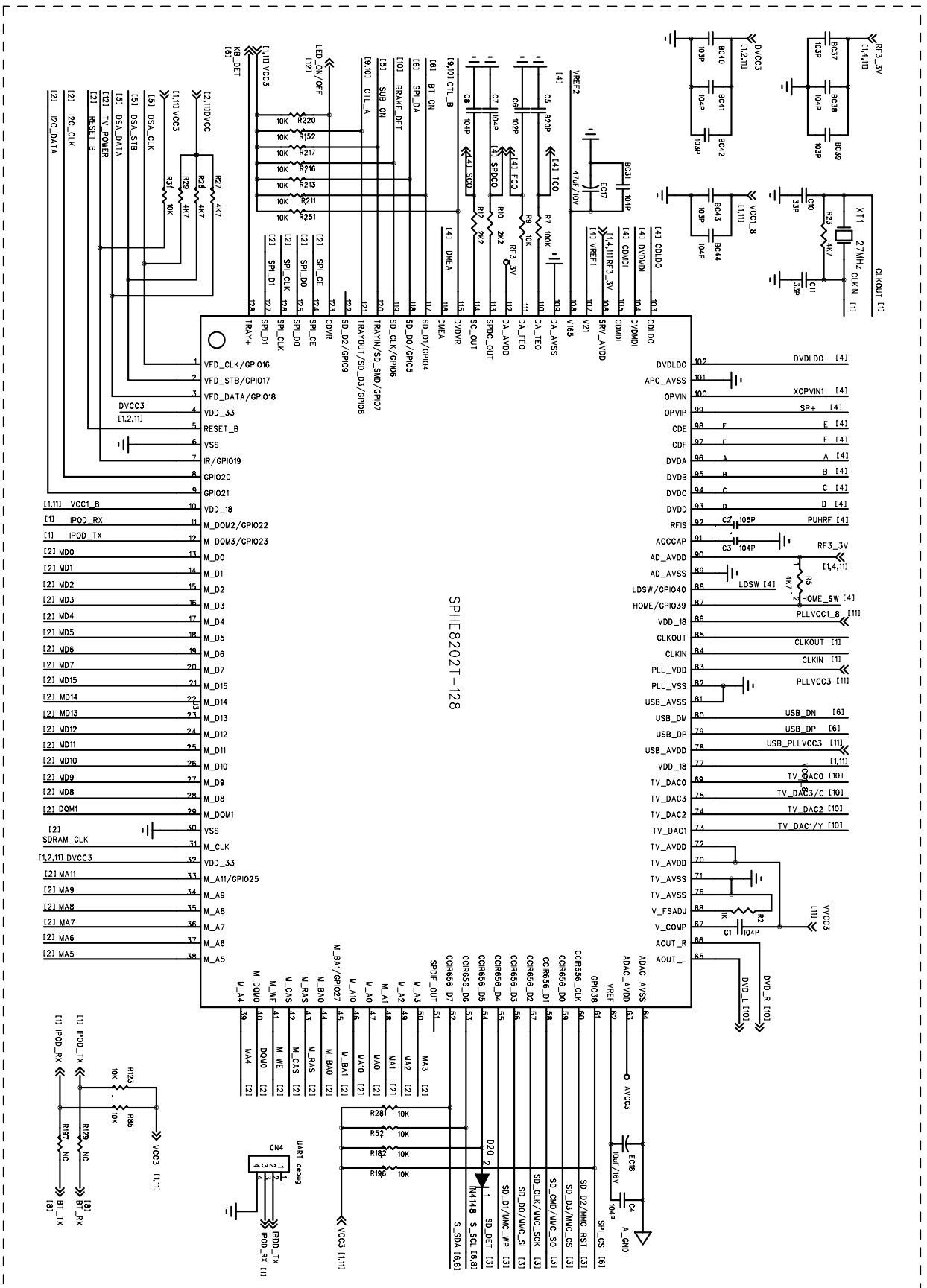




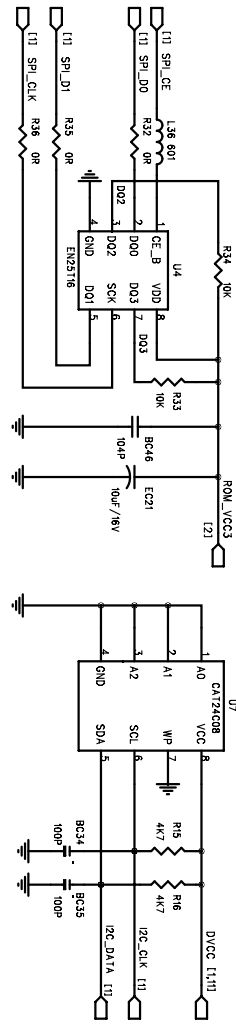


12-D4321-HP5
2012-06-12
REV:04

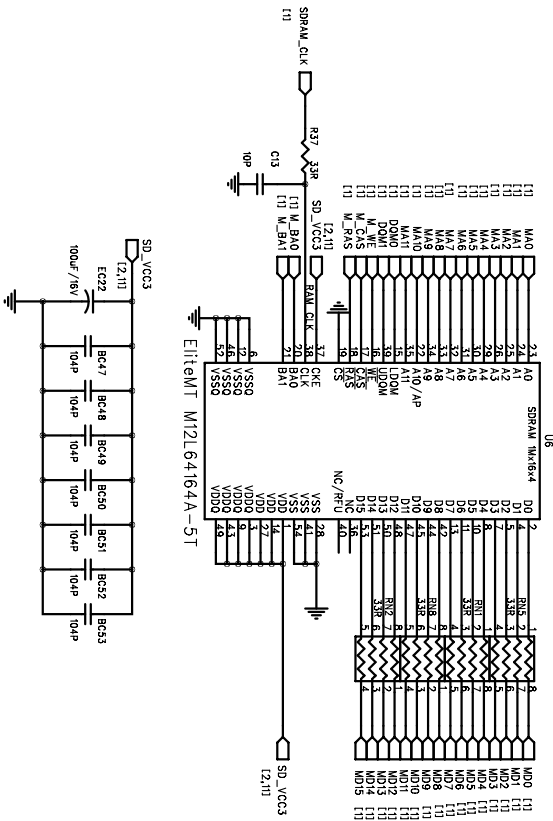




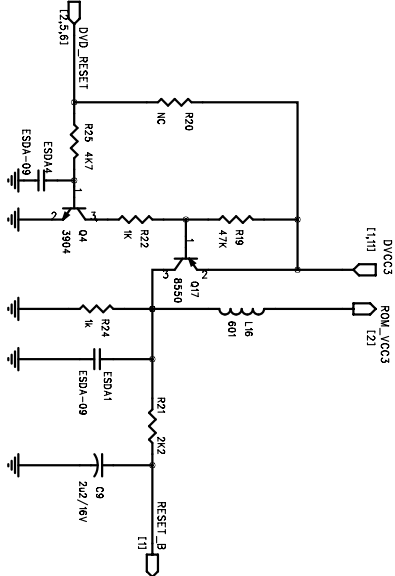
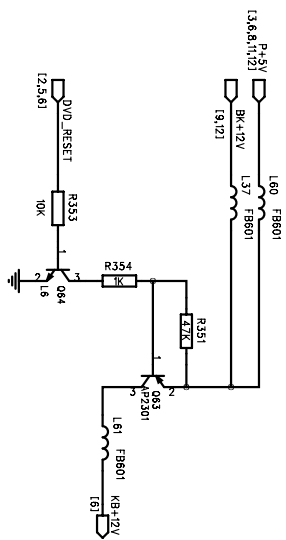
Flash



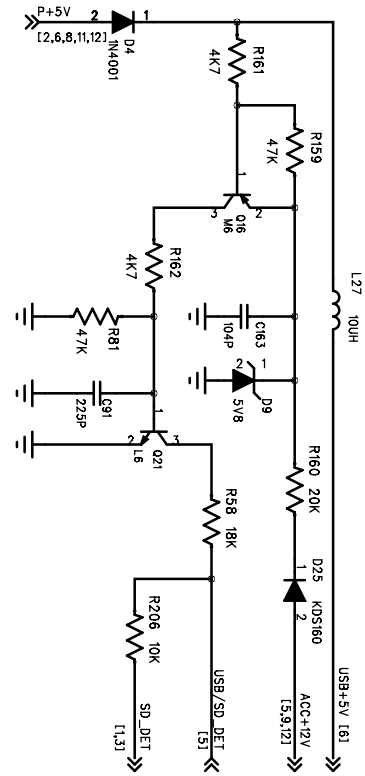
SDROM



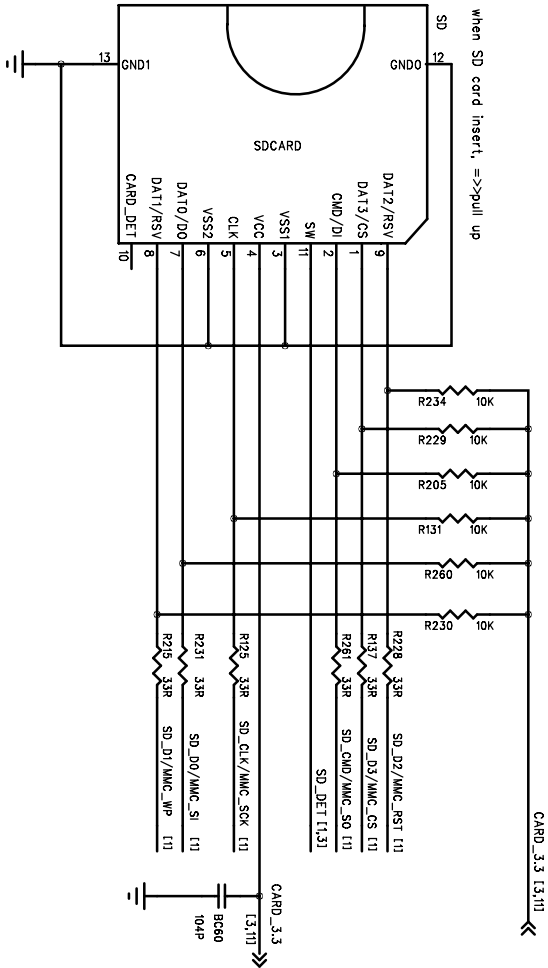
RESTE

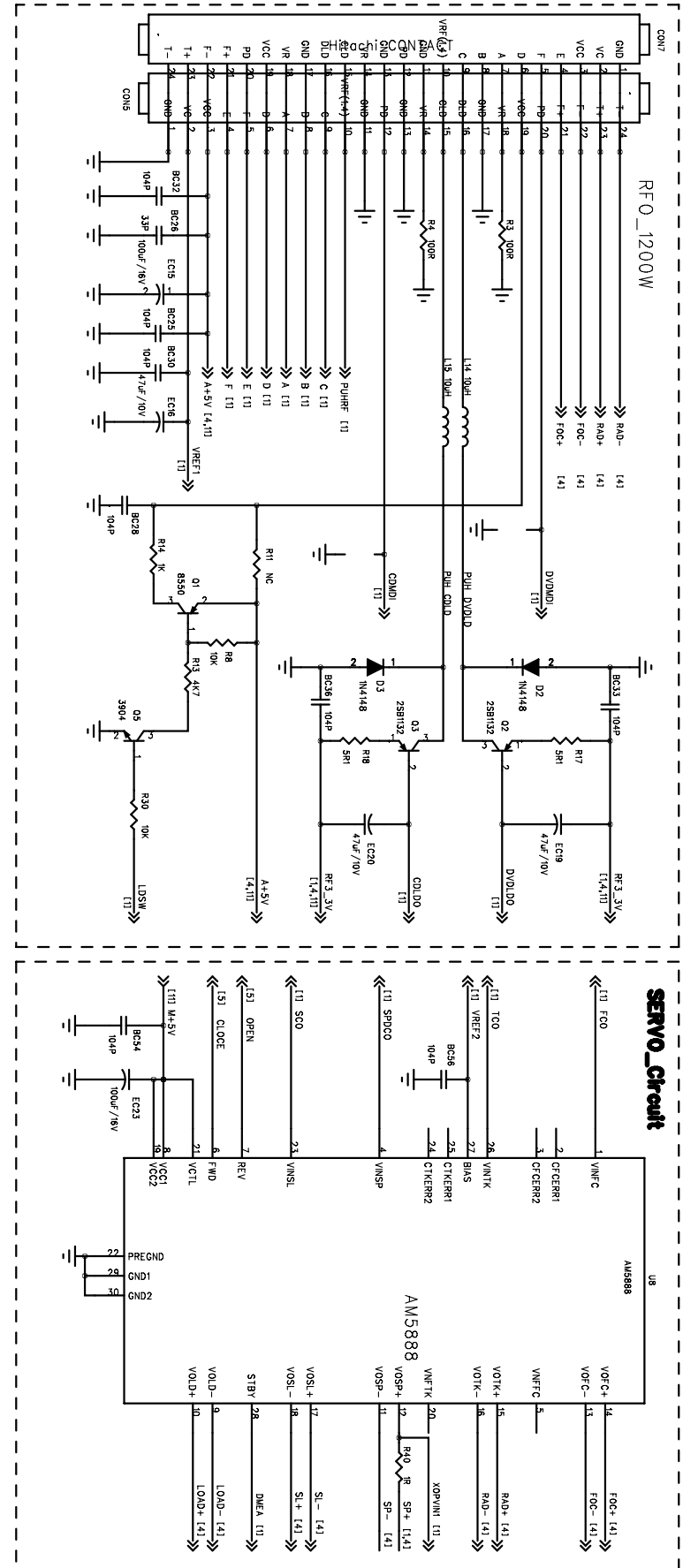
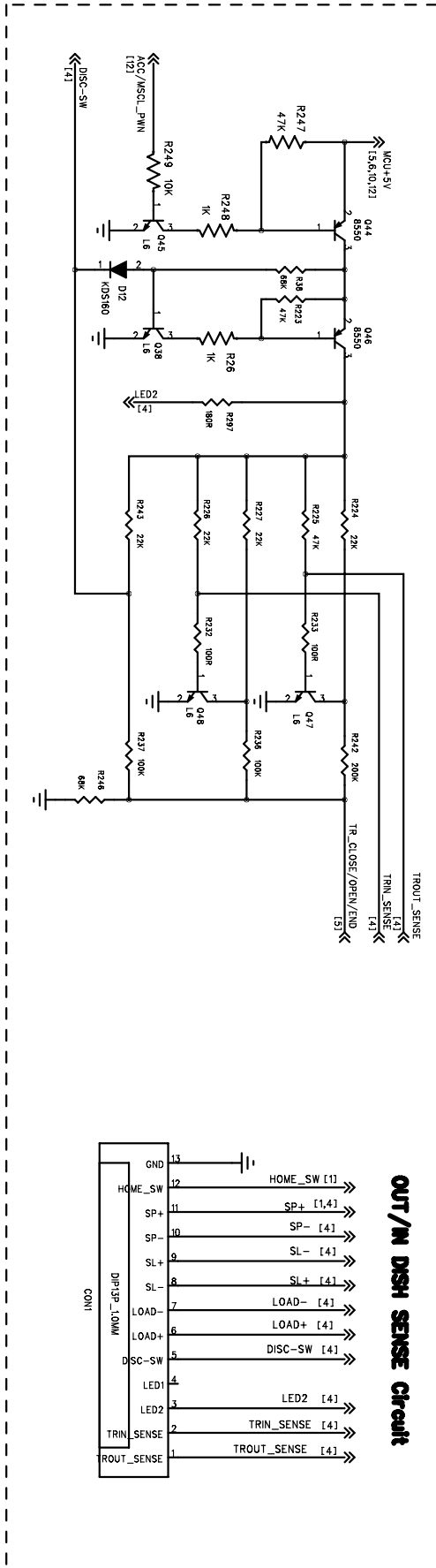


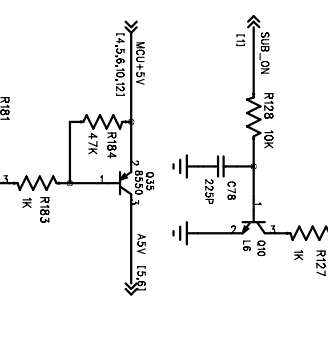
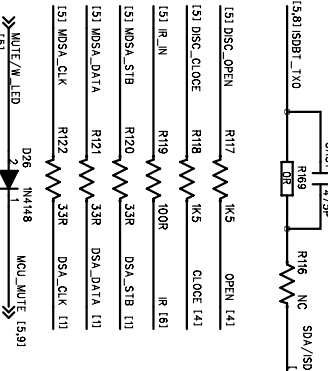
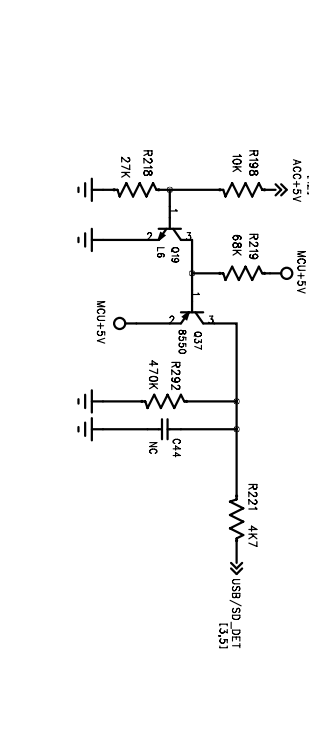
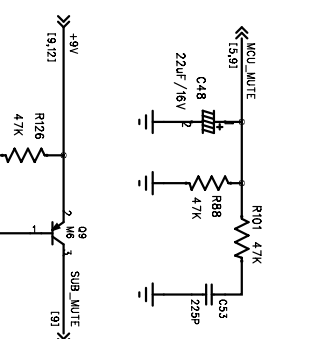
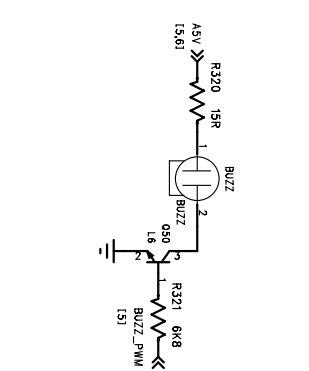
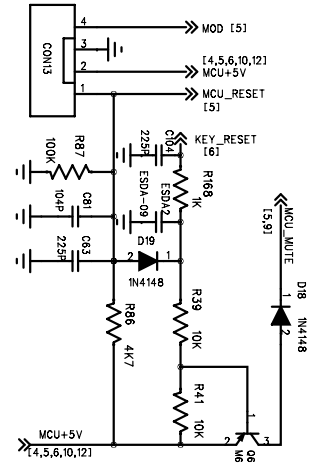
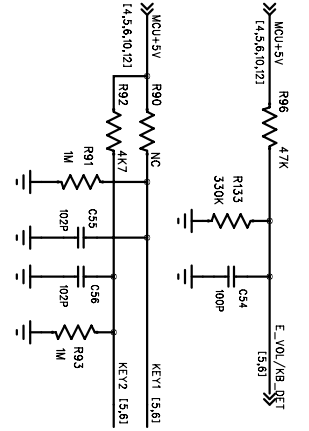
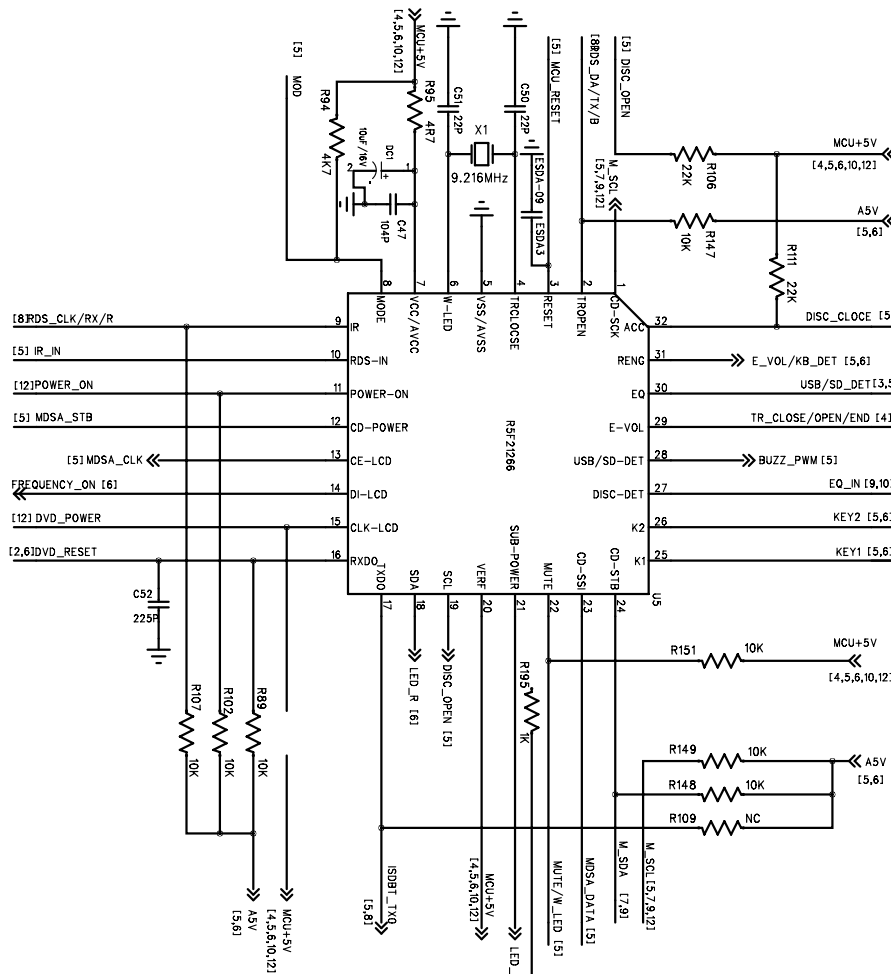
USB & SD DET Circuit



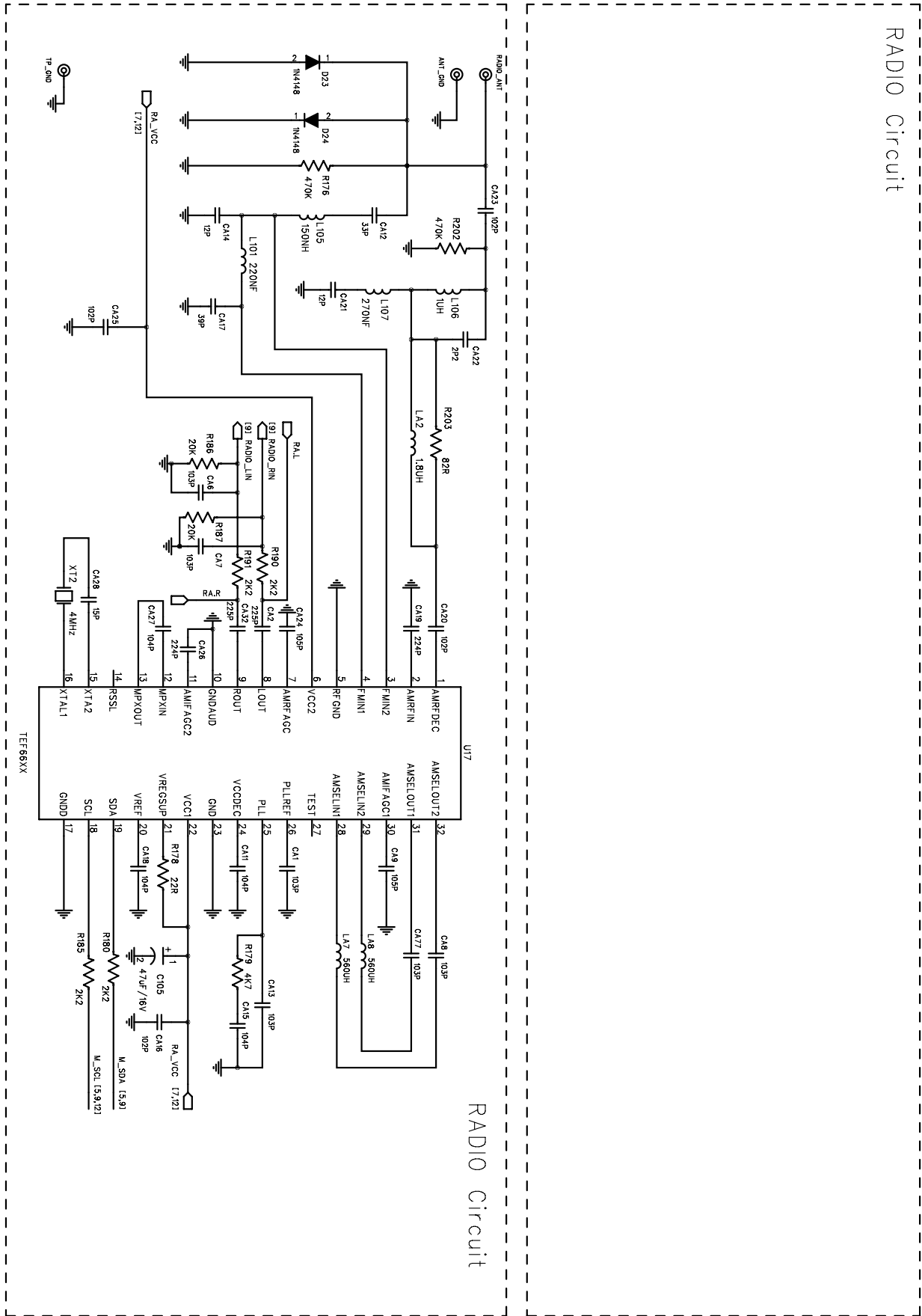
SD and MMC





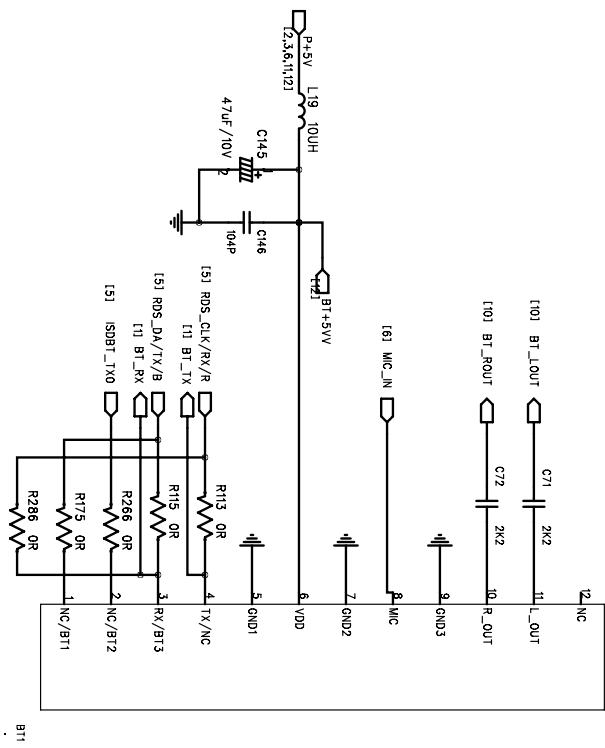


RADIO Circuit

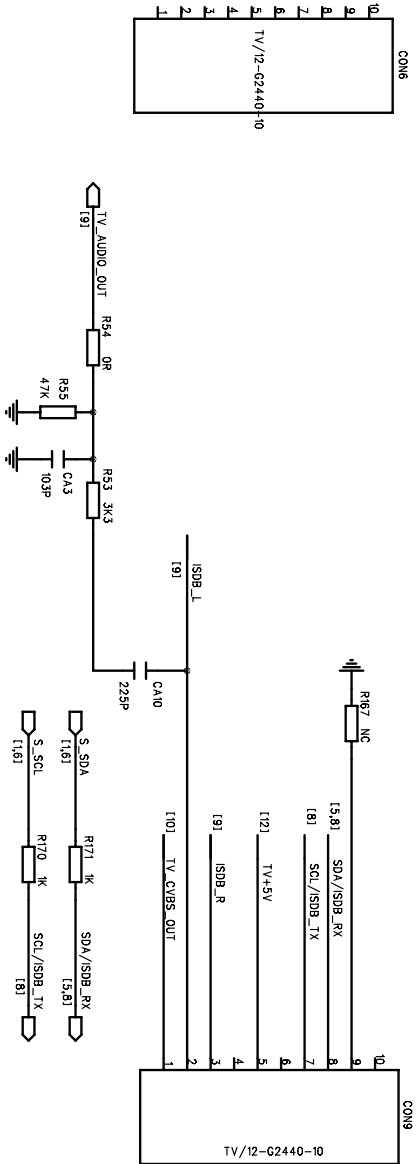


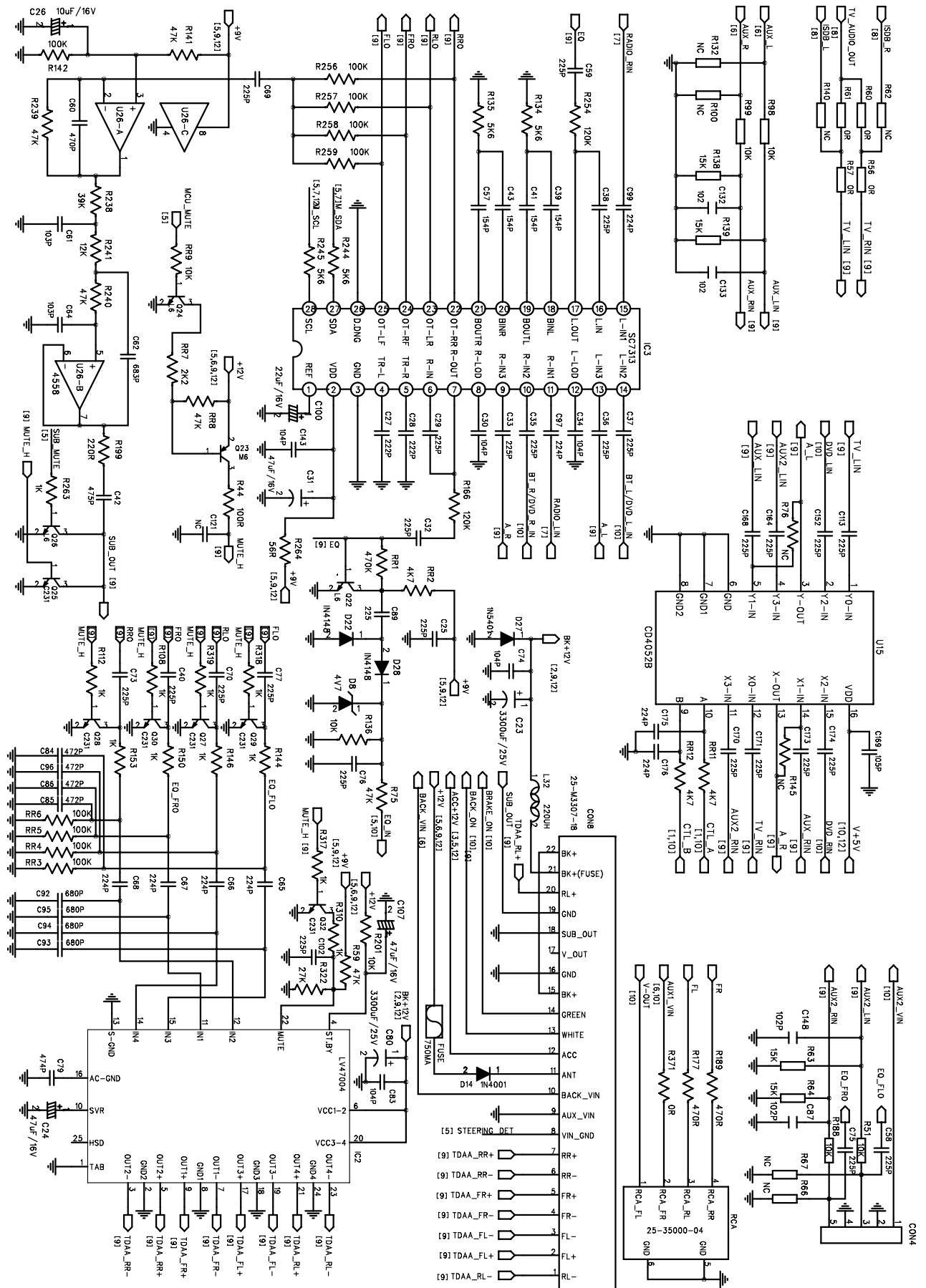
RADIO Circuit

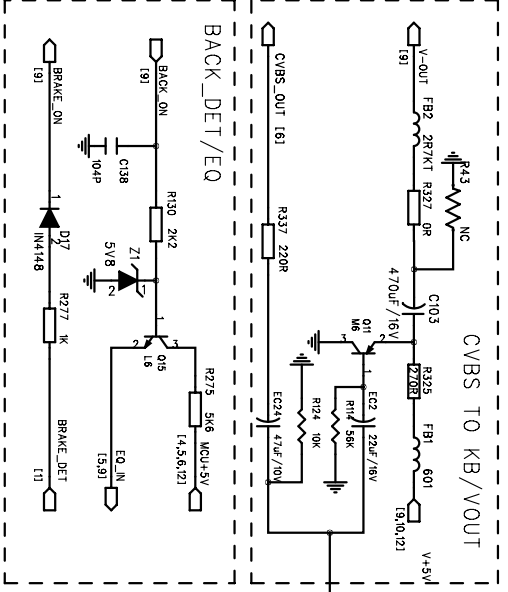
BT Circuit



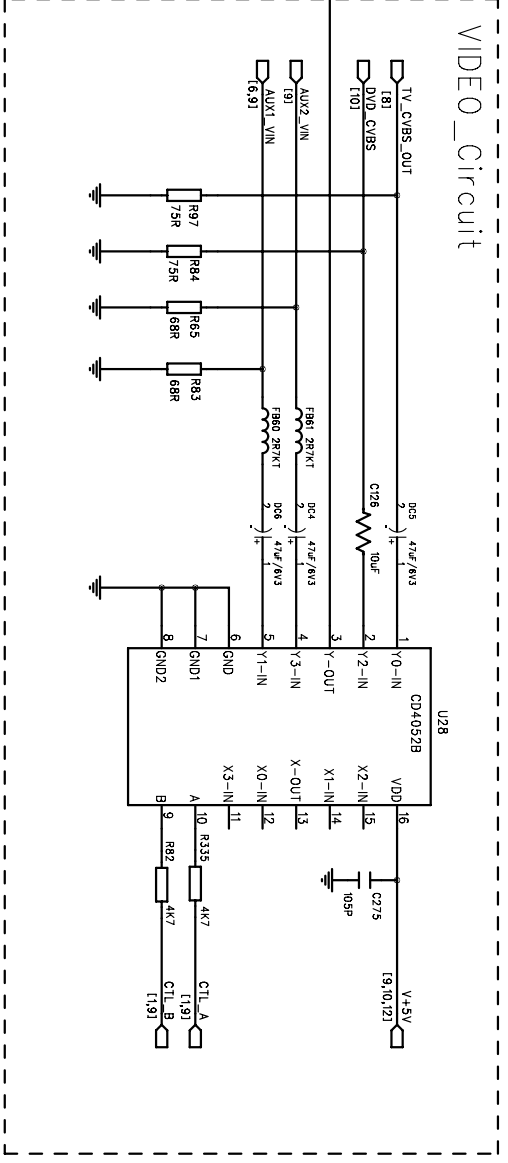
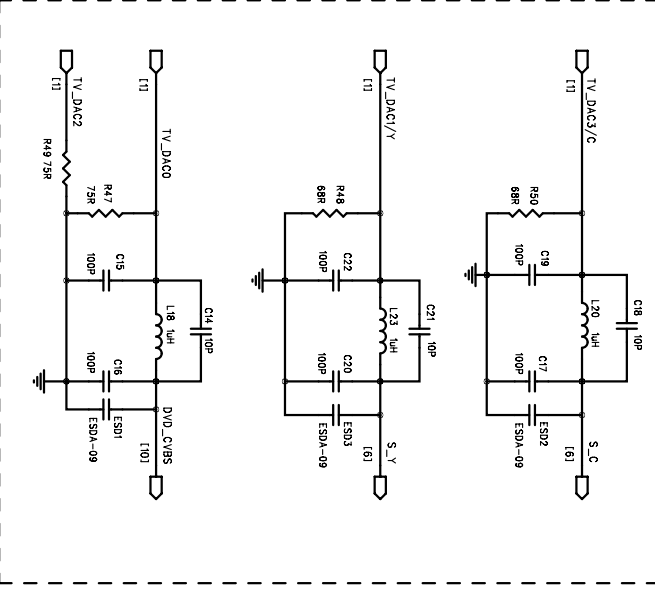
TV Circuit







CVBS CVIDEO Circuit



DVD R/L Circuit

