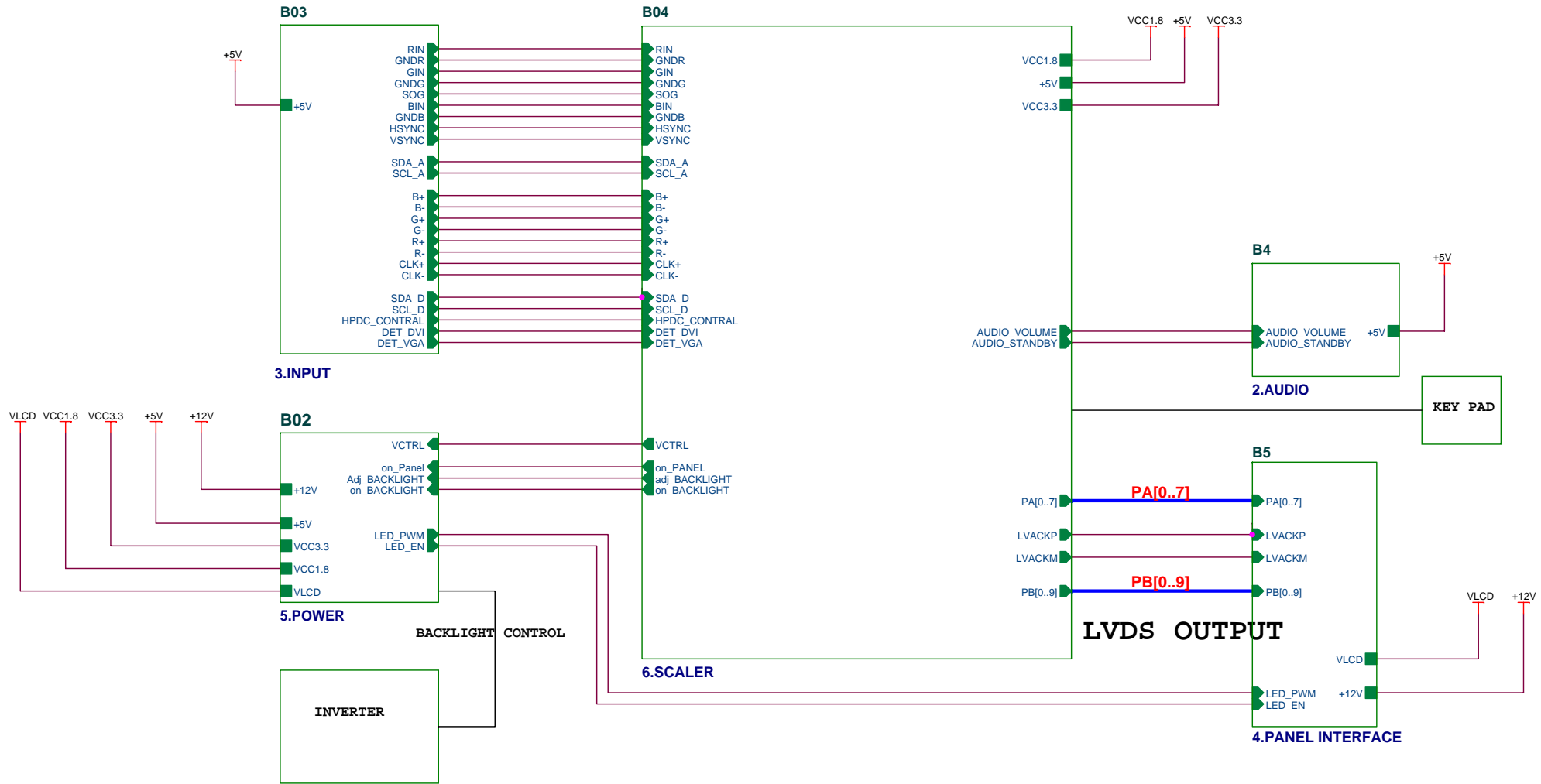


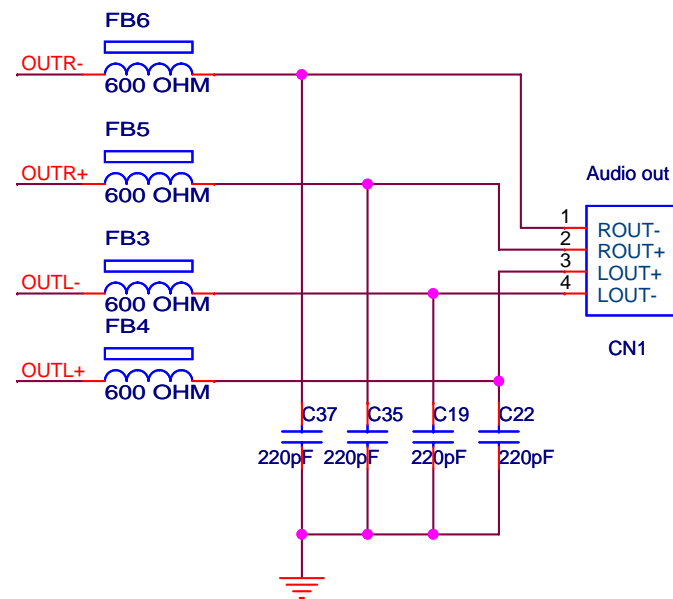
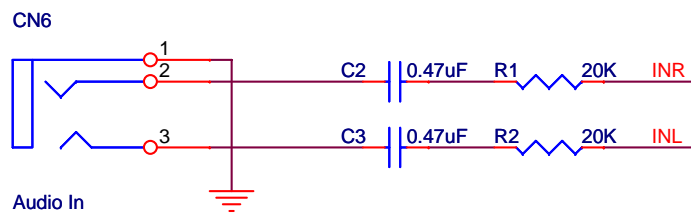
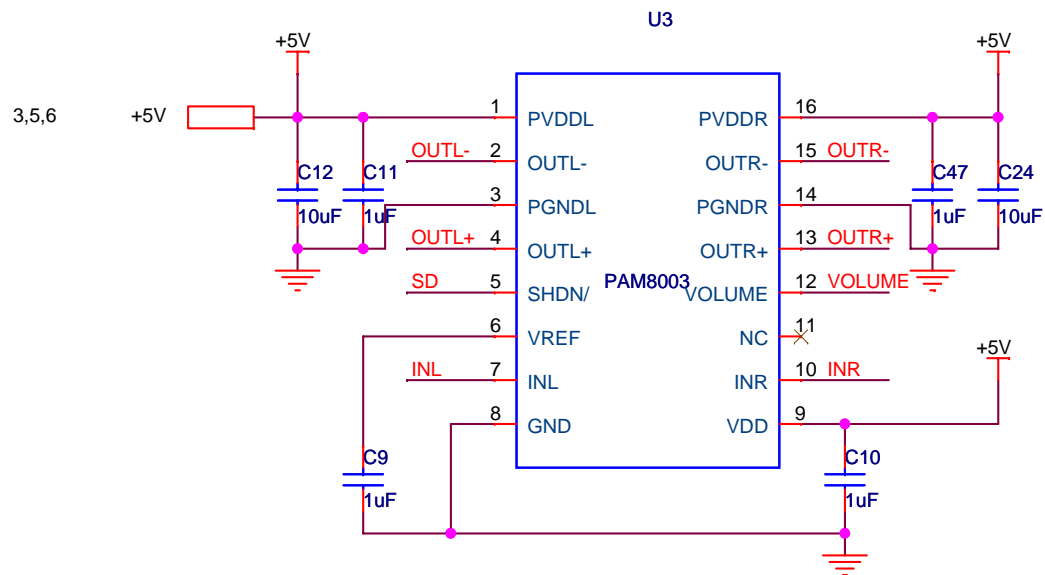
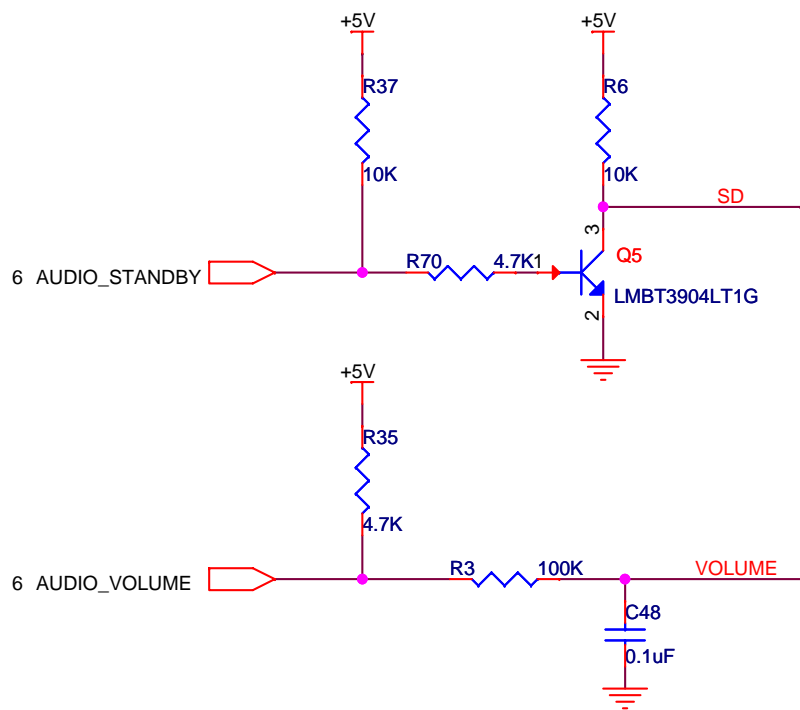
Title		
深圳市环球众宇电子有限公司		
Size	Number	Revision
B		
Date:	28-Oct-2011	Sheet of
File:	E:\circuit\qiang-2.dtb	Drawn By:

JRY-ML58L-V6.1 DIAGRAM

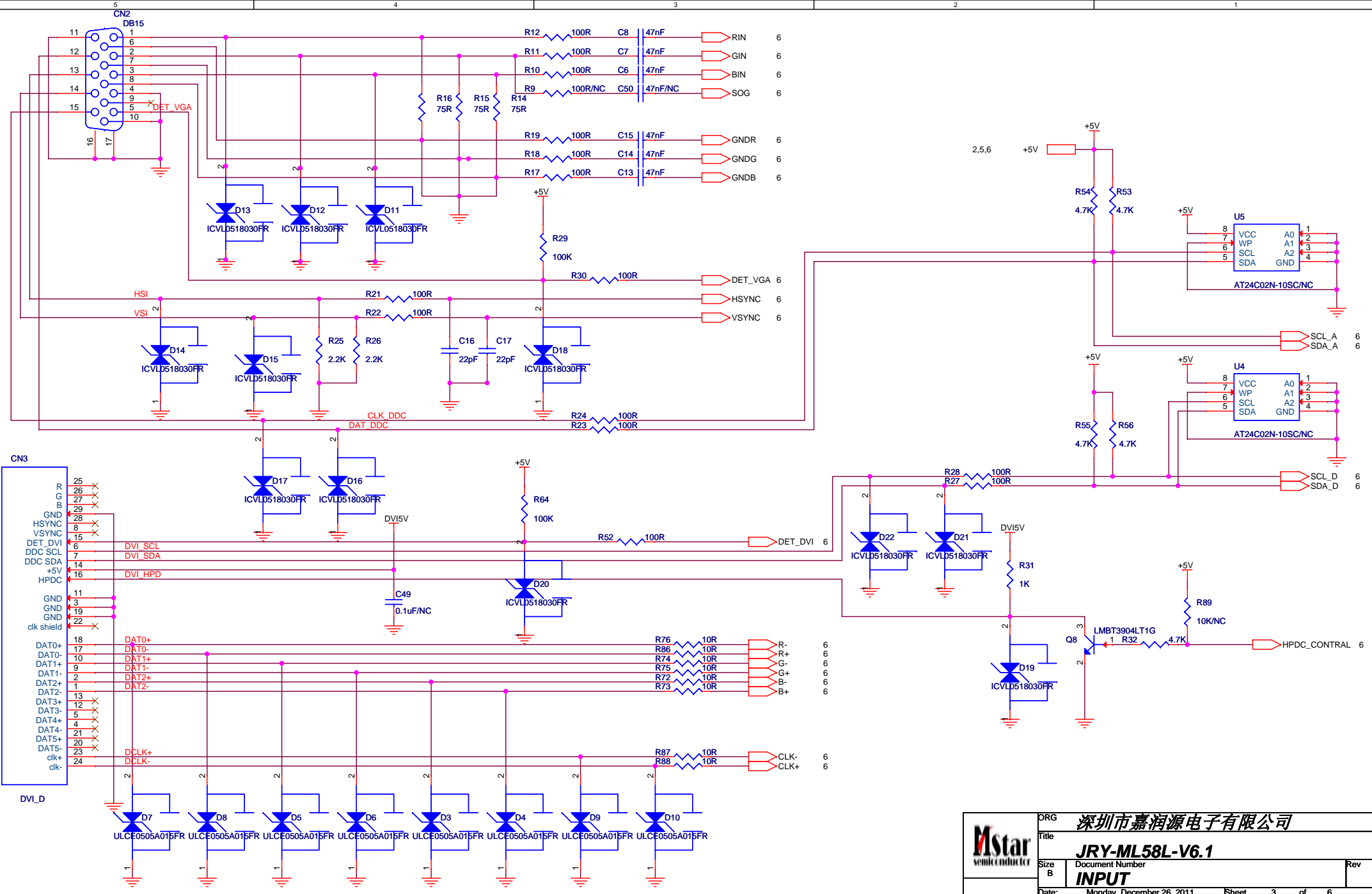
DUAL INPUT Board BLOCK DIAGRAM



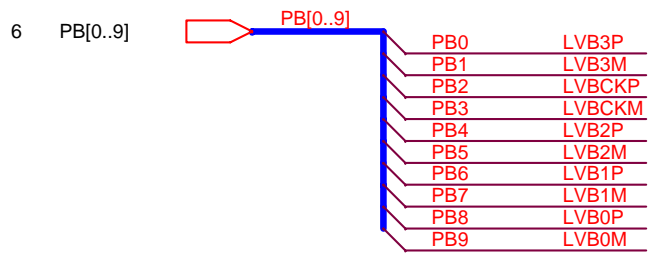
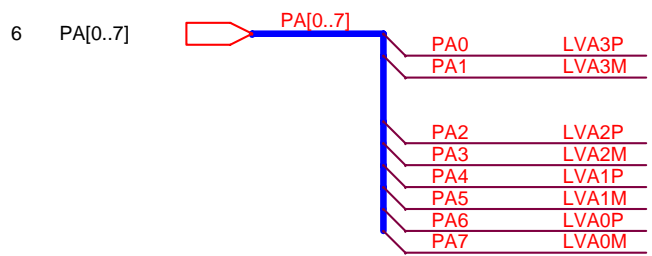
Mstar semiconductor	ORG	深圳市嘉润源电子有限公司	
	Title	JRY-ML58L-V6.1	
Size B	Document Number	Block diagram	
Date:	Monday, December 26, 2011	Sheet	1 of 6



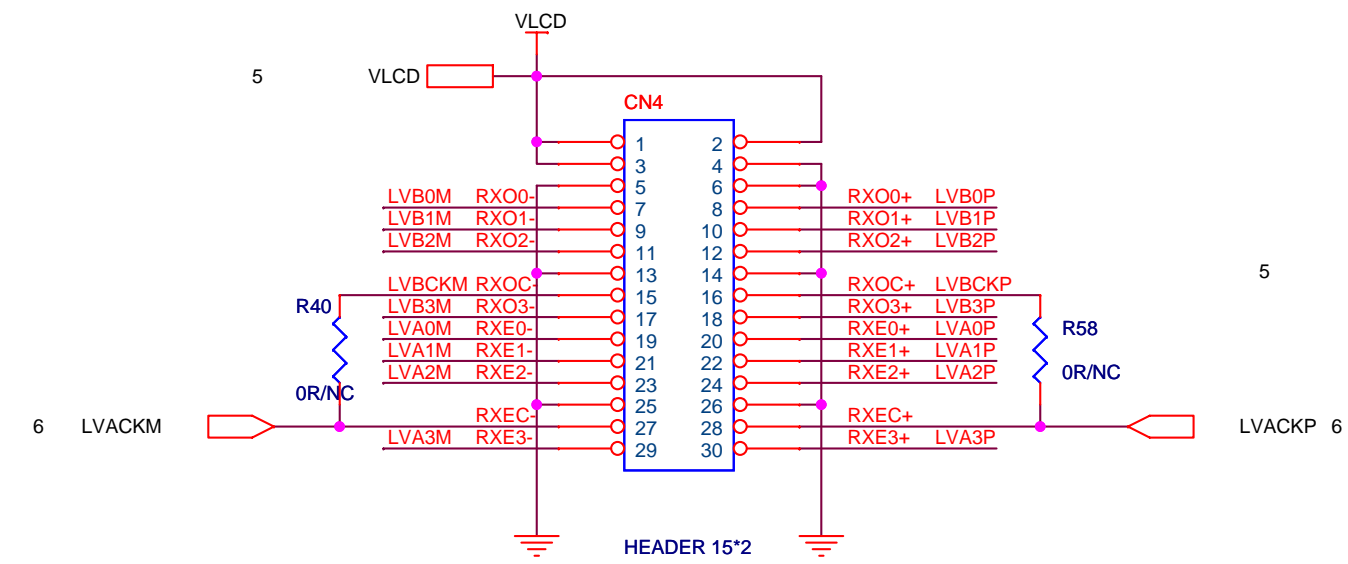
Mstar semiconductor	ORG	深圳市嘉润源电子有限公司		
	Title	JRY-ML58L-V6.1		
Size A	Document Number	AUDIO/PAM8003		Rev
Date:	Monday, December 26, 2011	Sheet	2	of 6



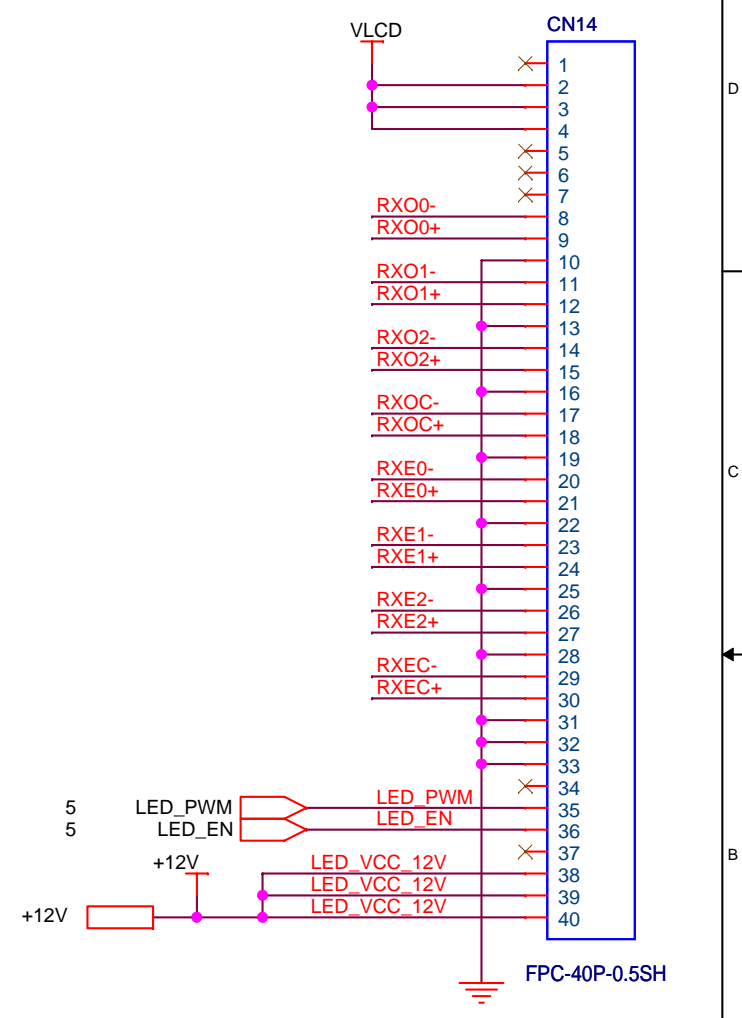
ORG	深圳市嘉润源电子有限公司		
Title	JRY-ML58L-V6.1		
Size	Document Number	Rev	
B	INPUT		
Date:	Monday, December 26, 2011	Sheet	3 of 6



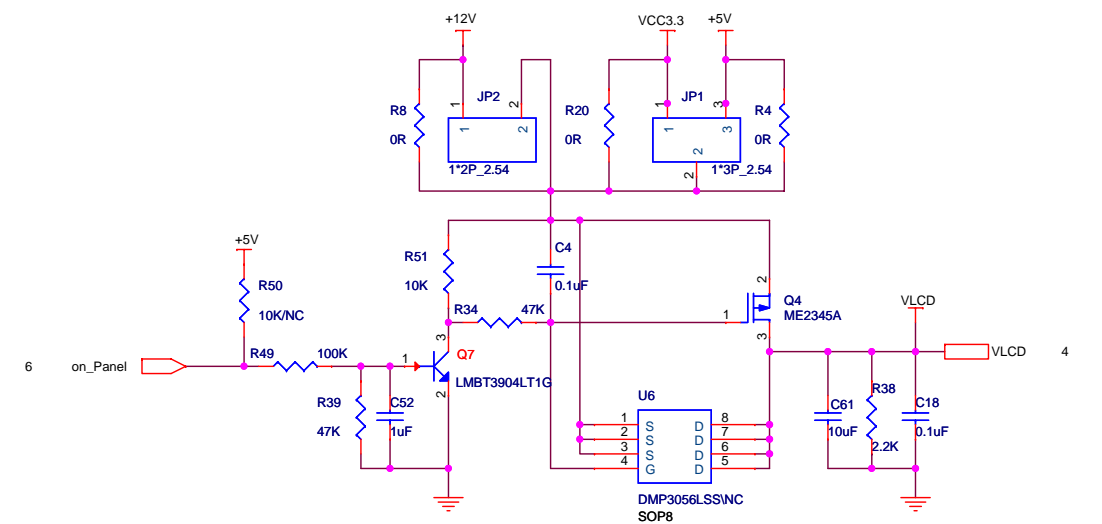
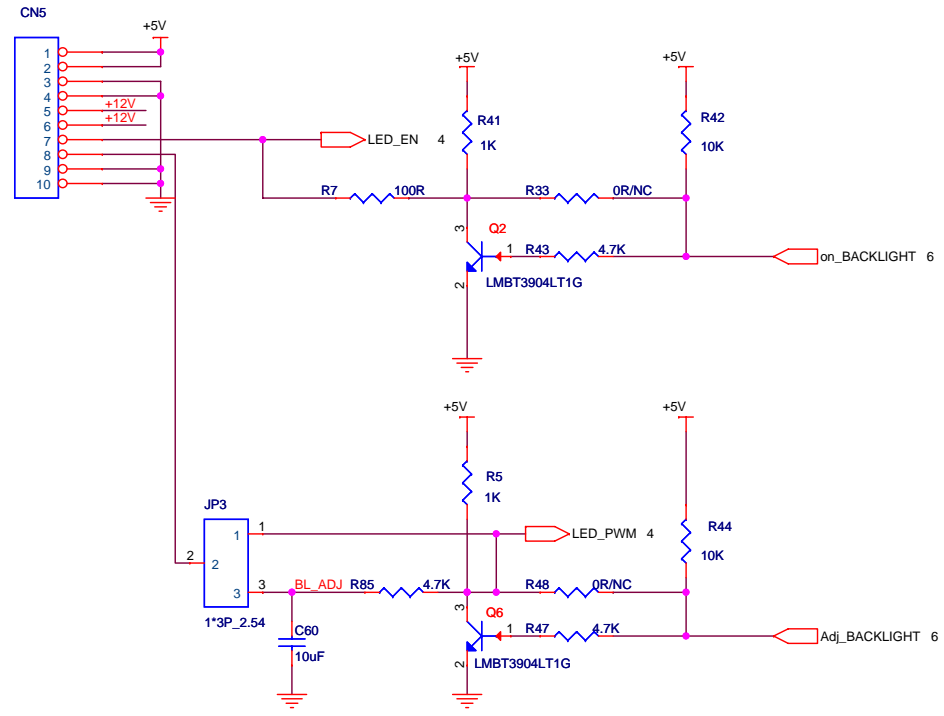
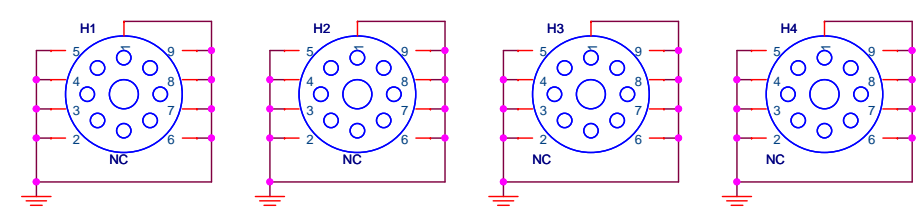
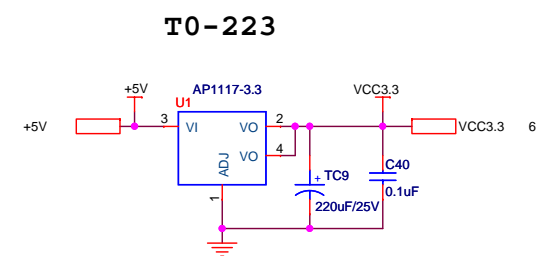
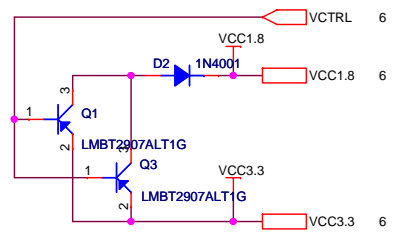
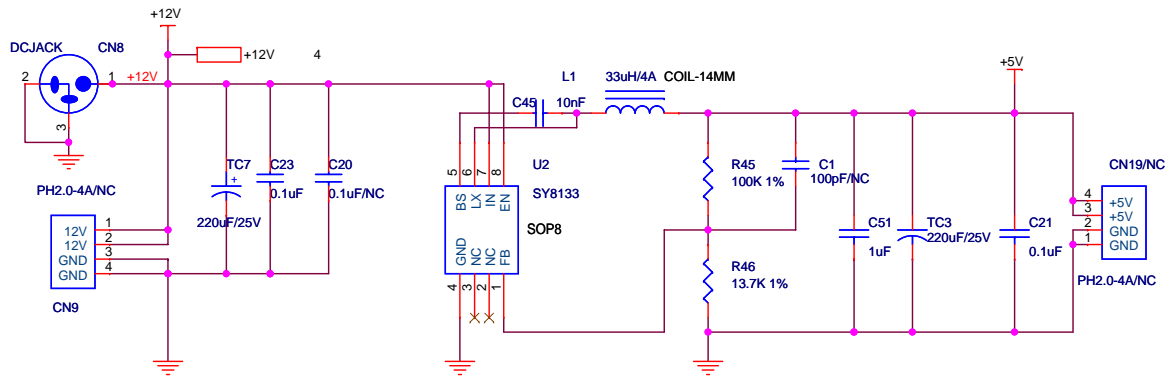
LVDS CONNECT PORT



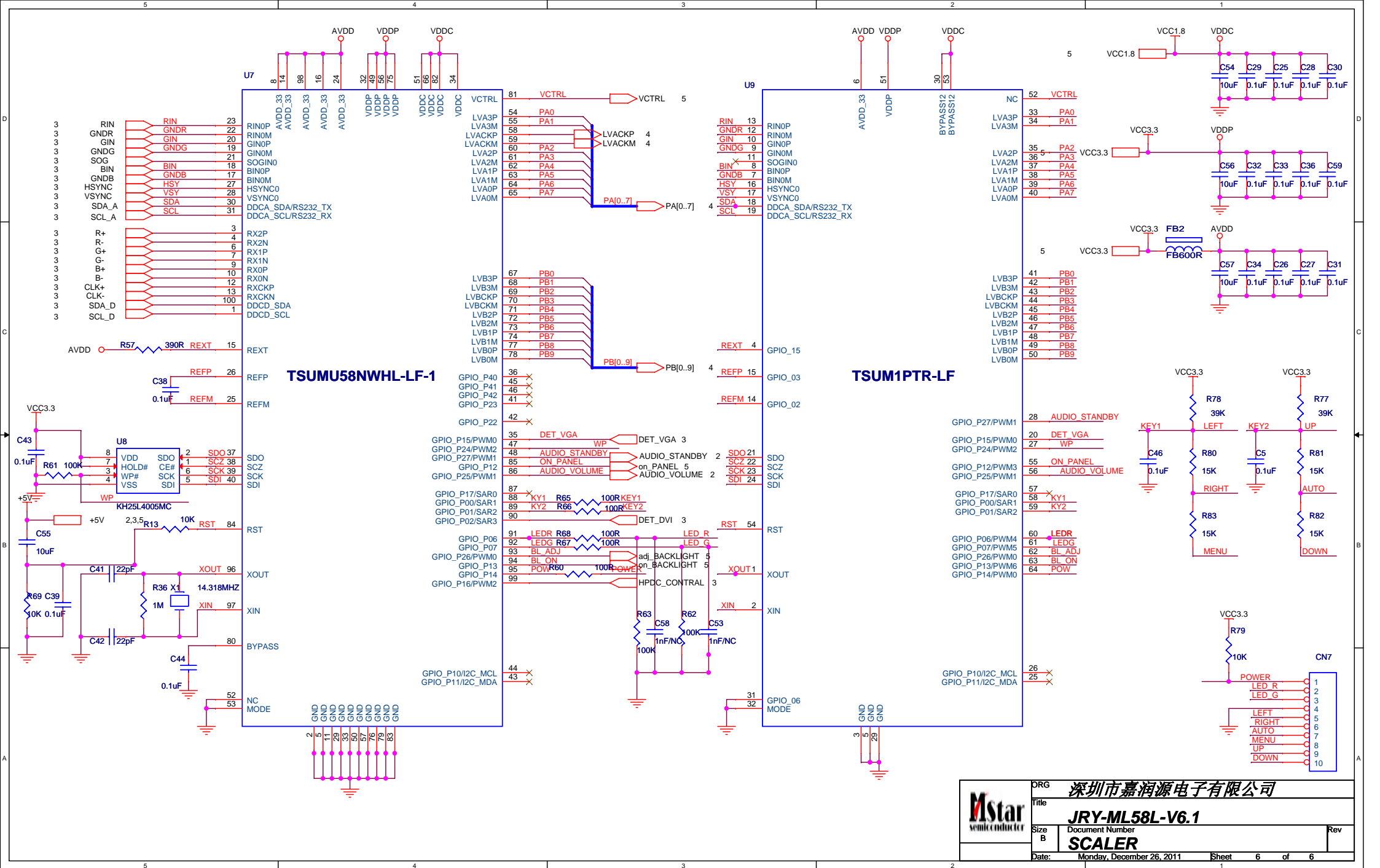
LED CONNECT PORT



	ORG 深圳市嘉润源电子有限公司		
	Title JRY-ML58L-V6.1		
Size A	Document Number	Rev	
Date: Monday, December 26, 2011		Sheet 4 of 6	
PANEL INTERFACE			



ORG	深圳市嘉润源电子有限公司		
Title	JRY-ML58L-V6.1		
Size	Document Number		Rev
B	POWER(DC TO DC)		
Date:	Monday, December 26, 2011	Sheet	5 of 6



ORG	深圳市嘉海源电子有限公司		
Title	JRY-ML58L-V6.1		
Size	Document Number		Rev
B	SCALER		
Date:	Monday, December 26, 2011	Sheet	6 of 6