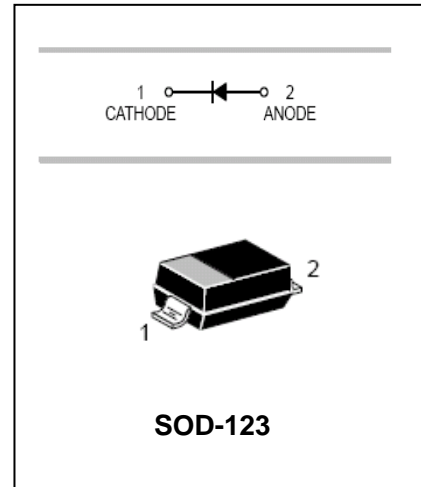


## High Voltage switching Diode

## MMSD103

### FEATURES

- Surface Mount Package Ideally Suited For Automatic Insertion
- For General Purpose Switching Applications



### APPLICATIONS

- Surface mount fast switching diode

### ORDERING INFORMATION

Type No.	Marking	Package Code
MMSD103	JS	SOD-123

### MAXIMUM RATING @ Ta=25°C unless otherwise specified

Characteristic	Symbol	Value	Unit
Continuous reverse Voltage	$V_R$	250	V
Forward Continuous Current	$I_F$	200	mA
Peak Forward Surge Current	$I_{FSM}$	625	mA
Power Dissipation	$P_d$	400	mW
Thermal Resistance, Junction to case	$R_{\theta JL}$	174	°C/W
Thermal Resistance, Junction to Ambient	$R_{\theta JA}$	492	°C/W
Operating and Storage Temperature Range	$T_j, T_{STG}$	-55 to +150	°C

### ELECTRICAL CHARACTERISTICS @ Ta=25°C unless otherwise specified

Characteristic	Symbol	Min	Max	Unit	Test Condition
Reverse Breakdown Voltage	$V_{(BR)R}$	250	-	V	$I_R=100\mu A$
Forward Voltage	$V_F$	-	1.0 1.25	V	$I_F=100mA$ $I_F=200mA$
Reverse Current	$I_R$	-	1 25	$\mu A$ nA	$V_R=200V$ $V_R=200V, T_J=150^\circ C$
Diode Capacitance	$C_D$	-	5.0	pF	$V_R=0, f=1.0MHz$
Reverse Recovery Time	$t_{rr}$	-	50	ns	$I_F=I_R=30mA, R_L=100\Omega$

## High Voltage switching Diode

## MMSD103

TYPICAL CHARACTERISTICS @  $T_a=25^\circ\text{C}$  unless otherwise specified

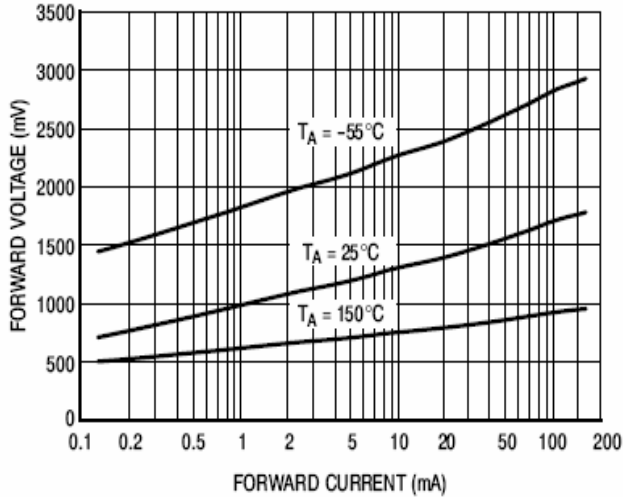


Figure 1. Forward Voltage

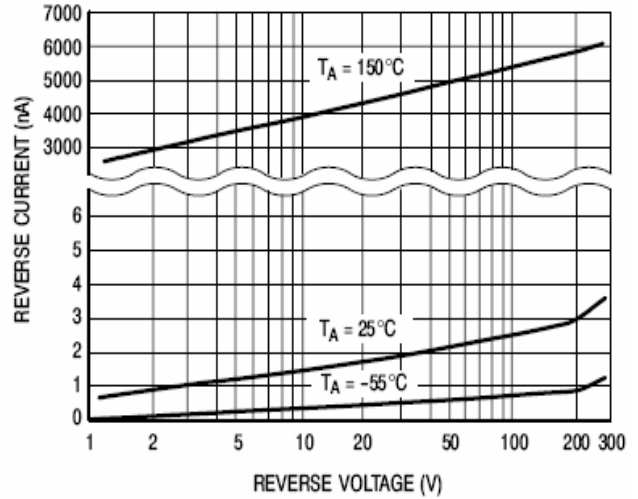
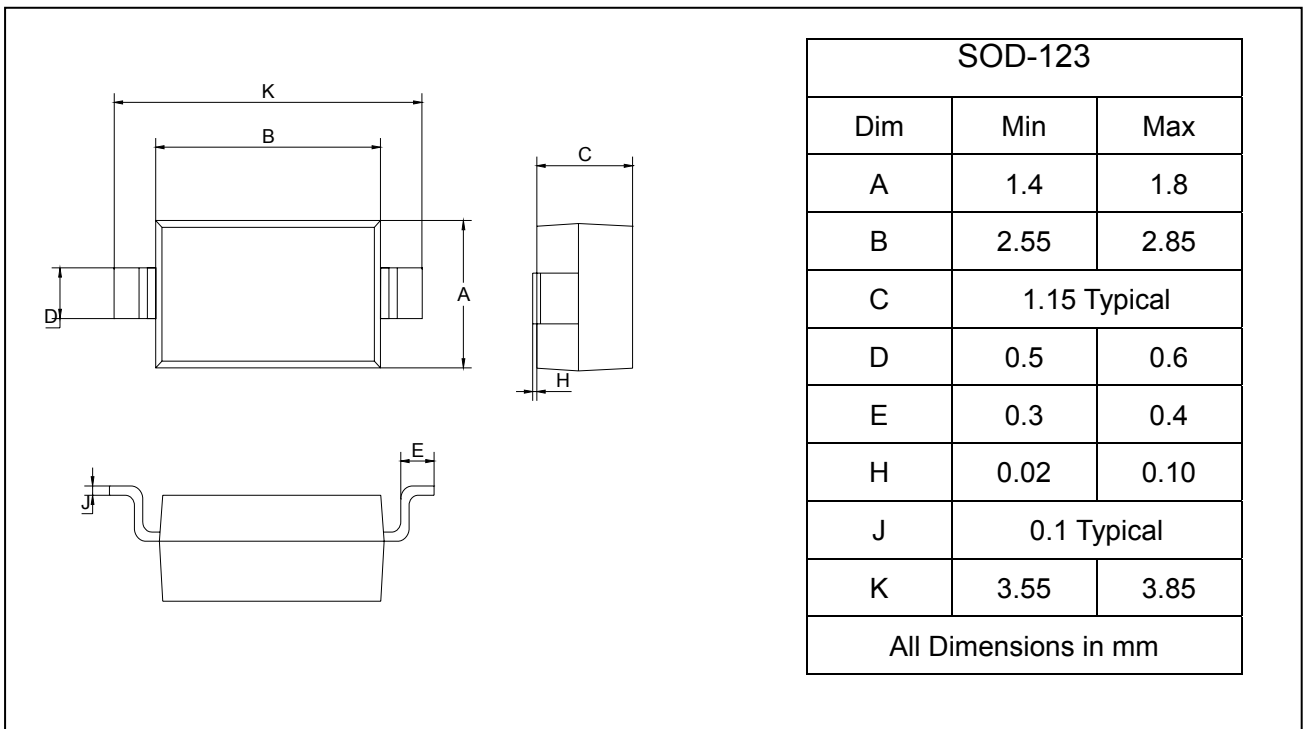


Figure 2. Reverse Leakage

## PACKAGE OUTLINE

Plastic surface mounted package

SOD-123



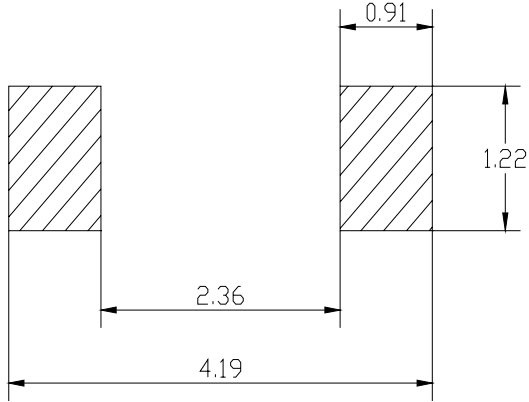
---

High Voltage switching Diode

**MMSD103**

---

## SOLDERING FOOTPRINT



Unit: mm

## PACKAGE INFORMATION

Device	Package	Shipping
MMSD103	SOD-123	3000/Tape&Reel

[www.s-manuals.com](http://www.s-manuals.com)