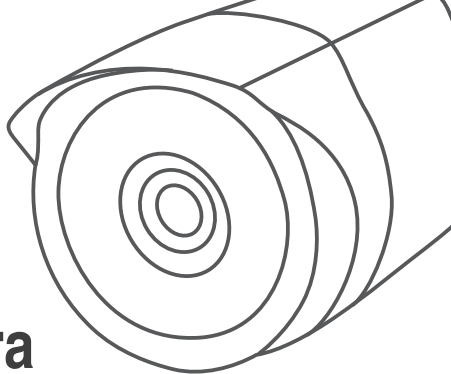


ZOSI
PROFESSIONAL SECURITY MADE EASY



4-in-1 Security Camera

Day/Night

EN V17.8

INSTRUCTION MANUAL

Introduction

Thank you for purchasing this CCTV camera from ZOSI. This camera can operate in almost all light conditions, from bright daylight (provided it's not irradiated directly by the sun) to pitch darkness.

The camera is very sensitive to light and therefore can make use of even a tiny little of light to create an image of what it captured. When it is in low light, this comes out as a black and white image.

In total darkness or near-total darkness environment, the camera uses built-in infrared LEDs to illuminate the area in front of it. This light is invisible to the human eye, although you might notice a faint red glow coming from the front of the camera, which is normal phenomenon.

In day or well-lit environment, the IR Cut Filter feature of the camera can filter out wavelengths of light that is useless to cameras in order to

provide a clear color image.

Important note: All jurisdictions have specific laws and regulations relating to the use of cameras. Before using any camera for any purpose, it is the buyer's responsibility to be aware of all applicable laws and regulations that prohibit or limit the use of cameras. And also buyer must comply with the applicable laws and regulations.

Warning: Modifications not approved by the party responsible for compliance could void user's authority to operate the equipment.

Important safety instructions

- 1) Make sure product is installed correctly and fastened stably.
- 2) Do not operate it if wires and terminals are exposed.

Choosing a Location for this Camera

To get optimal effect from camera, where you install cameras is pivotal. You should consider the distance between the camera and its subject to ensure you obtain a good view of the areas in focus. Also think about the appropriate mounting places (e.g., under the eaves of a roof is a good choice) where it won't be either an easy target for vandals or affected by constant light reflections of moving vehicles (which can cause falsely triggered motion detection). There are numerous factors you should consider when choosing a location to mount your camera, not merely where you want to monitor it.

To mount the camera

Place the camera in the location where you want to mount it, and mark screw holes on its surface to fix the screws. Then, using proper screws for the surface where you prepare to fix the camera. Screw the camera stably into the place.

If you're going to mount camera on a wooden surface, then screw the camera directly to the surface.

If you're going to mount camera on a masonry surface (bricks, concrete or similar) , then you'll need to use the included wall plugs.

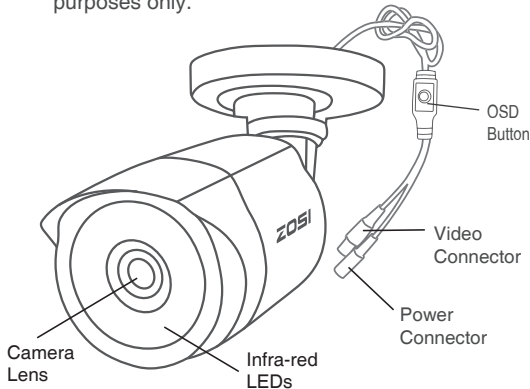
Mounting the Camera

The camera can be mounted onto a flat, vertical surface using screws. The surface must have sufficient strength to hold the camera. Materials such as hardwood, brick or masonry are good options. You can mount the camera onto a metal surface, but you'll need to supply your own mounting hardware.

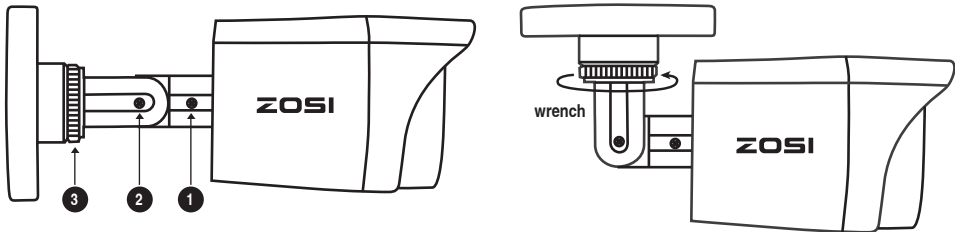
Position the Cables

1. When setting your cable, try to avoid winding it on objects with sharp angles.
2. Don't put your cable close to live electrical wiring. AC electricity will generate radio "noise", which can interfere with camera's signal.
3. All wiring and connectors must be insulated in suitably. Meanwhile, they also should be protected from moisture and sunlight because they are not of weather resistant.

Please note, model shown is for illustration purposes only.



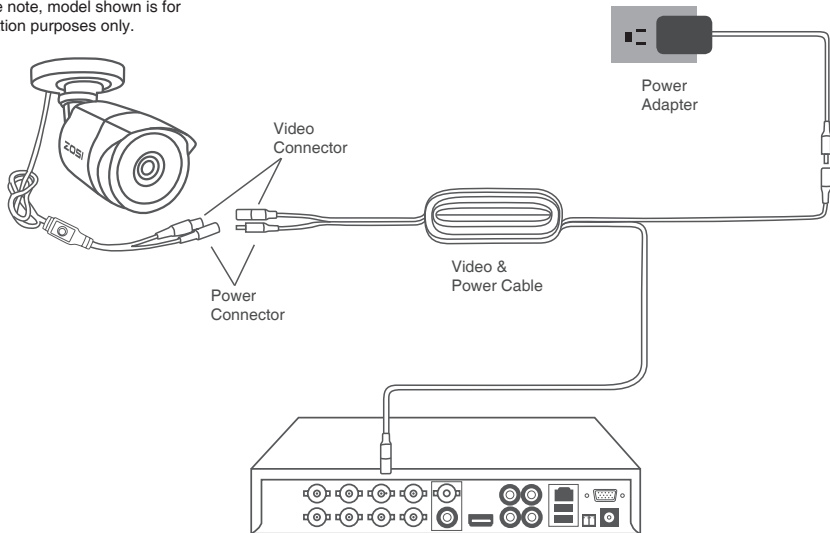
Mounting the Camera



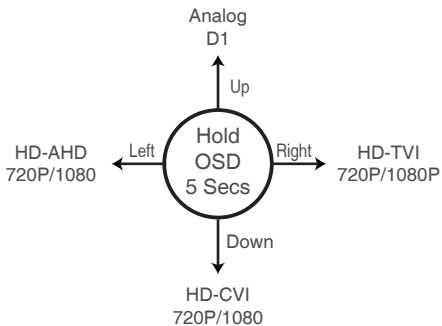
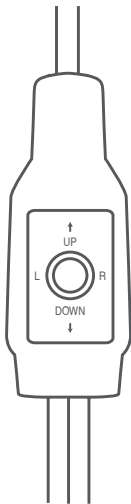
- 1 Using screwdriver to loosen the screw, and then rotate the camera.
- 2 Loosening the screw, and then adjust the elbow joint.
- 3 Attach the neck of the stand with the mounting base, and then rotate the stand by loosening the radial joint locking ring. Once stand in position, tighten the ring again.

Connection Guide

Please note, model shown is for illustration purposes only.



OSD Button



Change camera mode by OSD button when camera power on. Press the button on OSD menu:

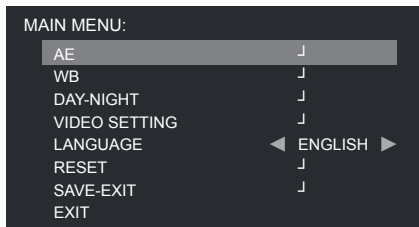
Switch to AHD: Press Left button for 5 Seconds

Switch to TVI: Press Right button for 5 Seconds

Switch to CVBS: Press Upward button for 5 Seconds

Switch to CVI: Press Downward button for 5 Seconds

MAIN MENU



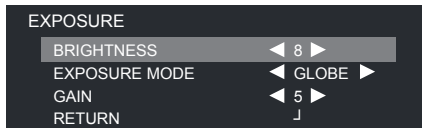
AE	Automatic Exposure#
WB	White Balance#
DAY-NIGHT	#
VIDEO SETTING	#
LANGUAGE	ENGLISH/ 中文 /Español/русский/ITALIANO
RESET	RESET
SAVE-EXIT	SAVE&END#
EXIT	NOT SAVE#

Automatic Exposure

1. BRIGHTNESS 1-20

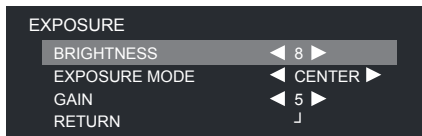
2.1

EXPOSURE MODE	GLOBE
GAIN	1-8



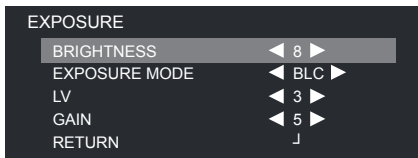
2.2

EXPOSURE MODE	CENTER
GAIN	1-8



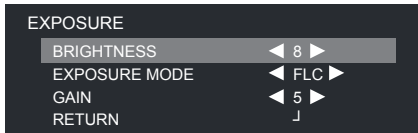
2.3

EXPOSURE MODE	BLC
GAIN	1-8
LV	1-8



2.4

EXPOSURE MODE	FLC
GAIN	1-8



3. RETURN RET#

White Balance

DAY-NIGHT

1. MODE

ATW	Auto Tracing White Balance#
-----	-----------------------------



MWB	Manual White Balance#
RGAIN	1-16
BGAIN	1-16



2. RETURN RET#

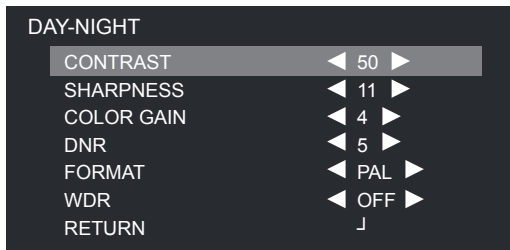
1. MODE



MODE	EXT/AUTO/COLOR/B-W#
------	---------------------

2. RETURN RET#

VIDEO SETTING



CONTRAST	1-50
SHARPNESS	1-20
COLOR GAIN	1-20
DNR	1-15/Digital noise reduction#
FORMAT	PAL/NTSC
WDR	ON/OFF
RETURN	RET#

Troubleshooting

Q: Video Loss display on my monitor where is supposed to display image?

- A:**
1. Check whether the extension cable (power and video) is securely connected to the camera.
 2. Check whether the video output from the camera is securely connected to the video input channel on the DVR.
 3. Check whether the power from the camera is firmly connected to power supply.
 4. If the camera mode don't match your DVR,there are two methods to adjust it.
 - (1) Press the "Down" button of OSD Joystick for five seconds,if still no picture appear, continue to press "Left","Right","Up" button in sequence, each for five seconds.Until the signal match your DVR.
 - (2) Make sure the camera has same signal with DVR. Use OSD Joystick to switch your camera's mode,and make it corresponding with your DVR's video mode.

Limited Warranty Terms & Conditions

ZOSI Communications warrants this product against defects in workmanship, and all material will be warranted for a period of one year from its original purchase date. You must present your receipt as proof of purchase date for warranty validation. Any unit which proves defective during the stated period will be repaired without charge for components or labor. Replaced at the sole discretion of ZOSI. The end user is responsible for all freight charges when it is necessary to send the product to ZOSI's repair center. The end user is responsible for all shipping costs when shipping product from any country other than the origin country.

The warranty does not cover any incidental, accidental or consequential damages arising from the inability use of this product. End user should take responsibility for any costs associated with the fitting or removal of this product caused by tradesman or other person. This warranty applies to the original purchaser of the product only, and it is forbidden to transfer product to any third party. It will make all warranties voided if there are unauthorized end users or third party modify any component or misuse evidence or abuse the device.

By law some countries do not allow limitations on certain exclusions in this warranty. Where applicable by local laws, regulations and legal rights will take precedence.

ZOSI

PROFESSIONAL SECURITY MADE EASY

www.zositech.com

service@zositech.com

All rights reserved. No part of this publication may be reproduced by any means without written permission from ZOSI. The information in this publication is believed to be accurate in all respects.

ZOSI cannot assume responsibility for any consequences resulting from the use thereof. The information contained herein is subject to change without notice. Revisions or new editions to this publication may be issued to incorporate such changes.

